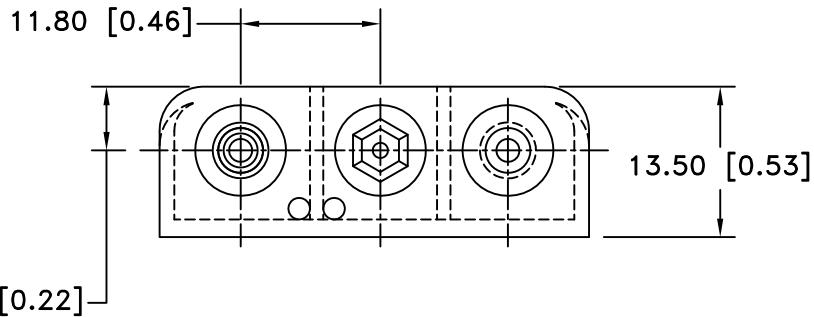
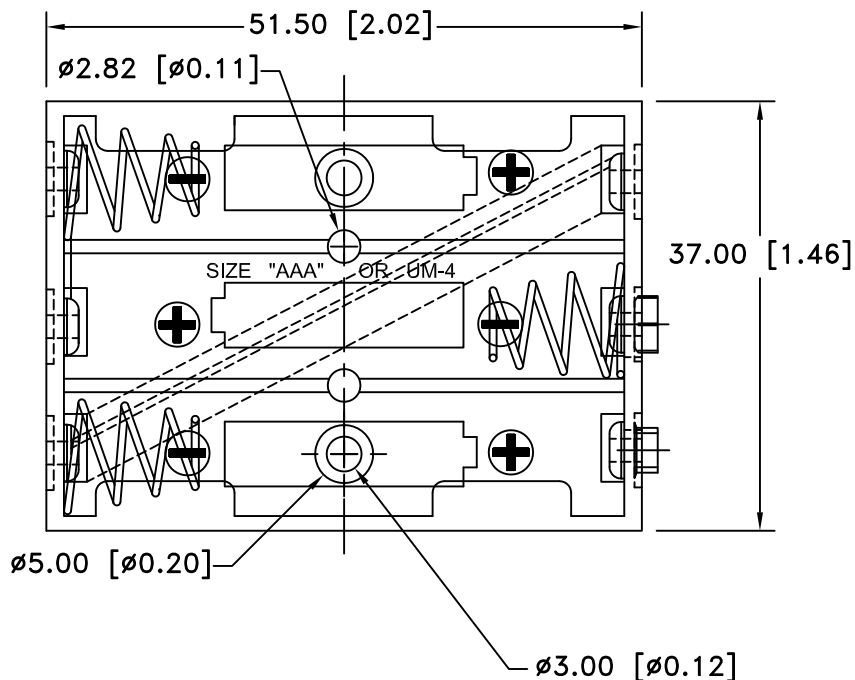


Date	SYM	REVISION RECORD	AUTH	DR.	CK.
6/24/06	A	ADDED "ROHS COMPLIANT" UPDATED MATERIAL NOTES	T.B.	B.S.	
4/05/13	B	UPDATED TO "ROHS 2 COMPLIANT" UPDATED DIVIDING RIBS	T.B.	B.S.	



NOTES:


1. MATERIAL:

HOUSING : BLACK POLYPROPYLENE
 FLAMMABILITY RATING -UL94-HB, UL FILE NO. E216959
 TEMPERATURE RANGE: -10°C to +100°C
 RIVETS: BRASS, NICKLE PLATED.
 SPRING: SPRING STEEL, NICKLE PLATED.
 9 VOLTS SNAPS: BRASS, NICKLE PLATED.
 CONTACT RESISTANCE: UNDER 50mΩ FOR +/- CONTACTS PER
 EIA-540J000

ROHS 2 COMPLIANT

MOUNTING INSTRUCTION:

USE 2-56 MACHINE SCREWS OR EYELETS 0.089" OD
 BY 0.15" FLANGE STIMPSON GS-3 SERIES OR EQUIVALENT.
 ALSO ADHESIVES AND DOUBLE SIDED TAPES WORK WELL.

Tolerance (Except as noted)	 Memory Protection Devices, Inc 200 Broad Hollow Road, Farmingdale, New York 11735	Scale	Drawn By B.S.
			Approved By T.B.
decimal ±.5 (.020)	Title THREE "AAA" CELL HOLDER		
Fractional ± .8 (.030)		Date 4/05/13	Drawing Number BC3AAASF
Angular ± 3°			