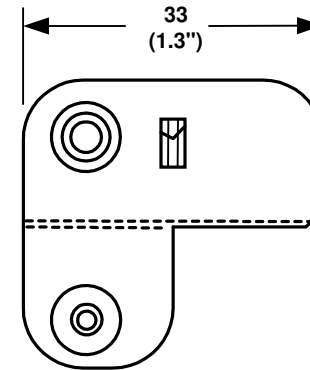
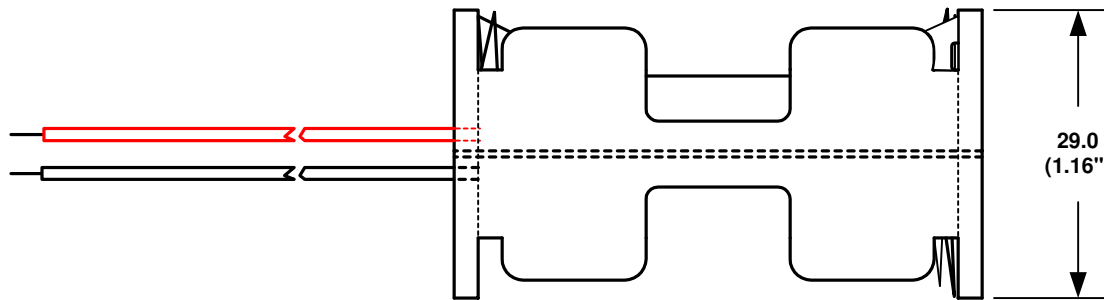
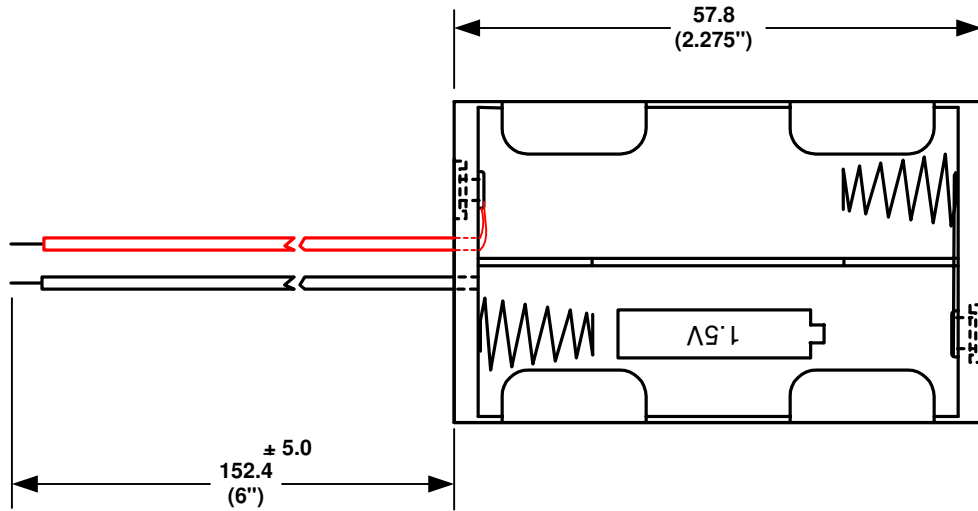


DATE	SYM	REVISION RECORD	AUTH	DR.	CK.



WIRE LEADS SHOWN ABOVE


ORDERING CODE **BC3AAG**

SPECIFICATIONS :

Plastic material - polypropylene
 Springs - nickel plated spring steel
 Wire - 152.4 mm Ref.Long 26 AWG,
 UL1007, CSA - TR-64, 300V, 80°C.
 Rivets - Brass, nickel plated
 9 Volts Snaps - Brass, nickel plated

SOLDER LUGS	= L
(6") WIRE LEADS	= W
9 VOLT TYPE SNAPS	=SF

Note: Dimensions in mm. (inches)

TOLERANCES (EXCEPT AS NOTED)		 Memory Protection Devices, Inc. 200 Broad Hollow Road, Farmingdale, New York 11735	
DECIMAL	+ .5 (.020") - .5 (.020")	SCALE	DRAWN BY S.C.
FRACTIONAL		NONE	APPROVED BY
ANGULAR	+ 3° - 3°	TITLE THREE "AA" CELL HOLDER	
		DATE	DRAWING NUMBER
		05/10/2001	BC3AAGW