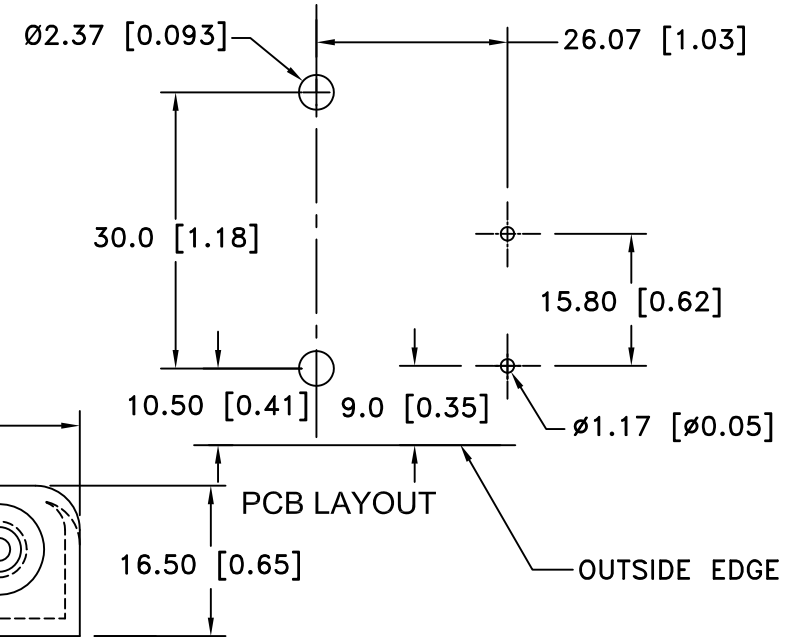
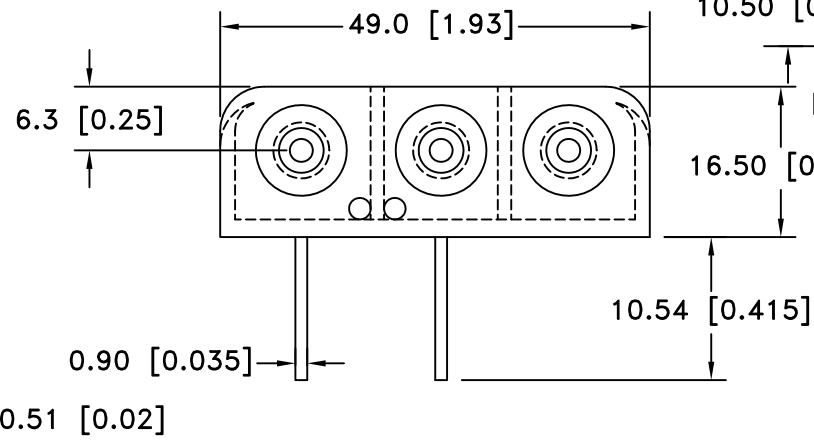
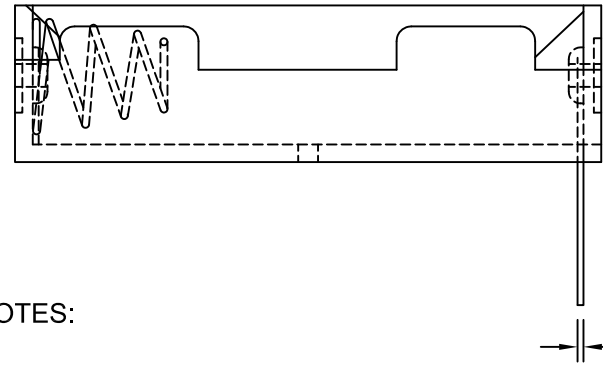
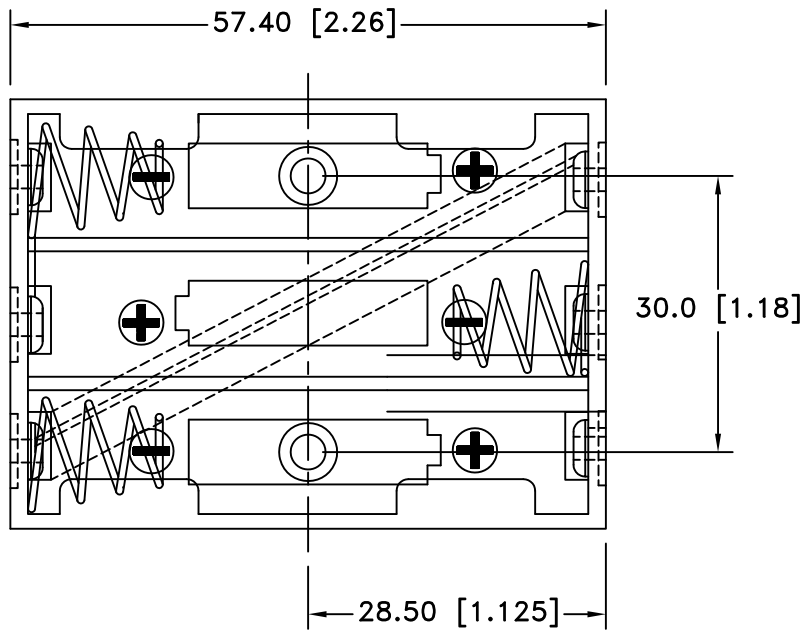



Date	SYM	REVISION RECORD	AUTH	DR.	CK.
7/16/10	B	REDRAWN AND UPDATED MATERIAL NOTES	T.B.	B.S.	
12/21/12	C	Dim. 15.80 was 12.77	T.B.	B.S.	



NOTES:

- MATERIAL:
 HOUSING : POLYPROPYLENE
 FLAMMABILITY RATING: UL94 HB, UL FILE NO. E216959
 TEMPRATURE RANGE: -10°C TO +100°C
 RIVETS: BRASS, NICKLE PLATED.
 SPRING: SPRING STEEL, NICKLE PLATED.
 CONTACT RESISTANCE: UNDER 50m Ω FOR ± CONTACTS PER EIA-540J000
 ROHS COMPLIANT

Tolerance (Except as noted)	 Memory Protection Devices, Inc 200 Broad Hollow Road, Farmingdale, New York 11735	Scale	Drawn By B.S.
			Approved By T.B.
decimal ±.5 (.020)	Title THREE "AA" CELL HOLDER	Date 12/21/12	
Fractional ± .8 (.030)		Drawing Number BC3AAPC	
Angular ± 3°			