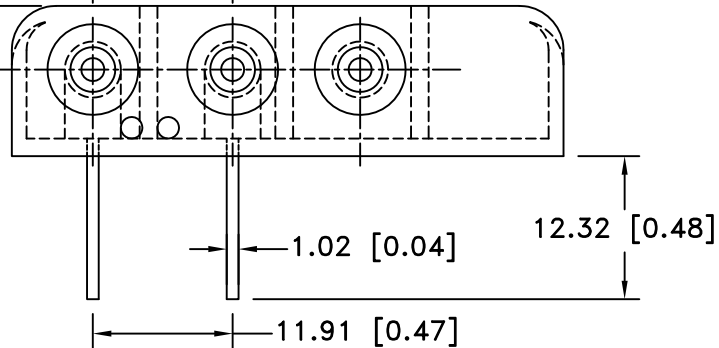
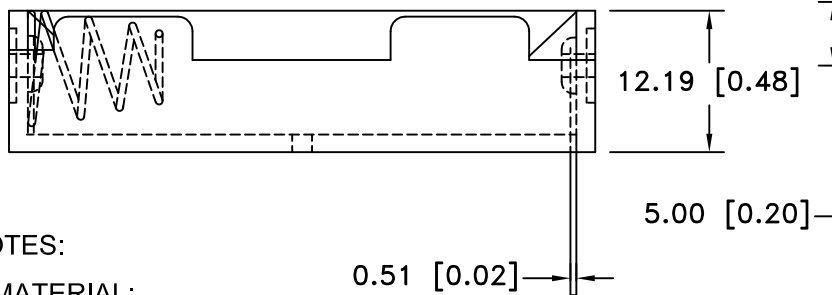
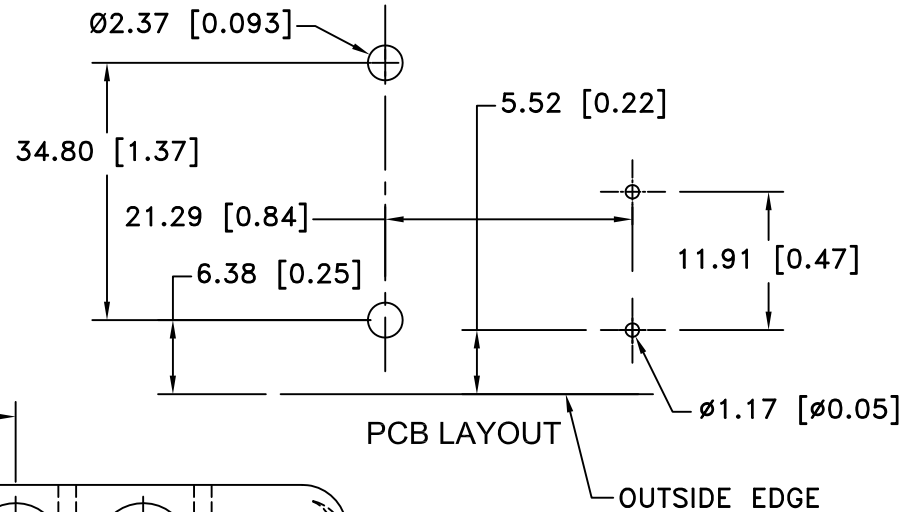



Date	SYM	REVISION RECORD	AUTH	DR.	CK.
03/22/13	A	UPDATED TO ROHS 2 COMPLIANT	T.B.	B.S.	



NOTES:
 1. MATERIAL:
 HOUSING : BLACK POLYPROPYLENE
 FLAMMABILITY RATING- UL94-HB, UL FILE NO. E216959
 RIVETS: BRASS, NICKLE PLATED.
 SPRING: 302 STAINLESS STEEL, NICKLE PLATED.
 PC PINS: 302 STAINLESS STEEL, NICKEL PLATED.
 TEMPERATURE RANGE: -10°C TO +110°C
 CONTACT RESISTANCE: UNDER 50mΩ FOR +/- CONTACTS PER EIA-540J000
 ROHS 2 COMPLIANT

MOUNTING INSTRUCTION:
 USE 2-56 MACHINE SCREWS OR EYELETS 0.089" OD BY 0.15" FLANGE STIMPSON GS-3 SERIES OR EQUIVALENT. ALSO ADHESIVES AND DOUBLE SIDED TAPES WORK WELL.

Tolerance (Except as noted)	 Memory Protection Devices, Inc 200 Broad Hollow Road, Farmingdale, New York 11735		
decimal ±.5 (.020)	Scale	Drawn By B.S.	
Fractional ± .8 (.030)	Title FOUR "AAA" CELL HOLDER		
Angular ± 3°	Date 03/22/13	Drawing Number BC4AAAPC	
		Approved By T.B.	