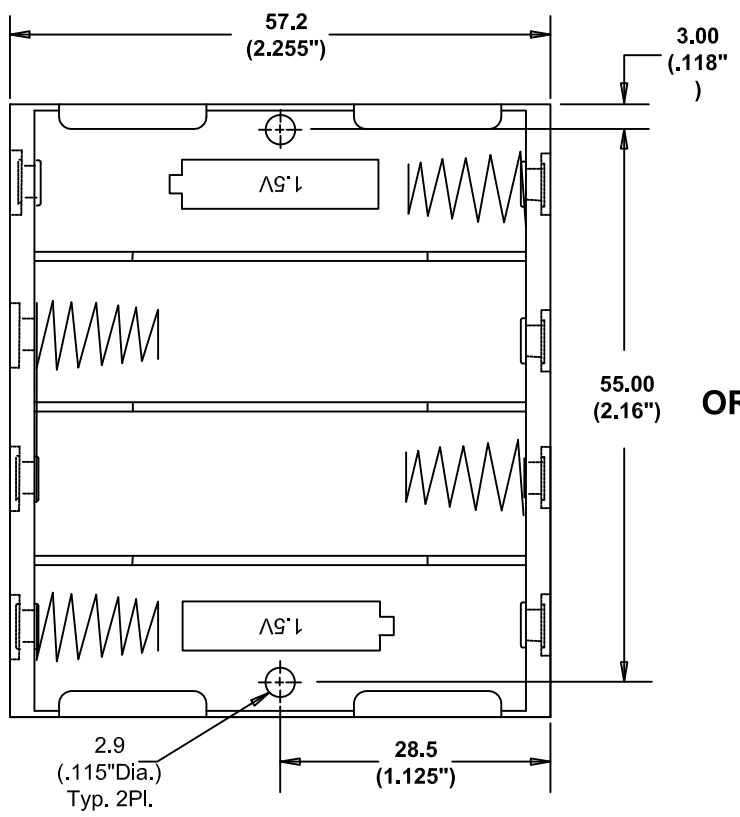
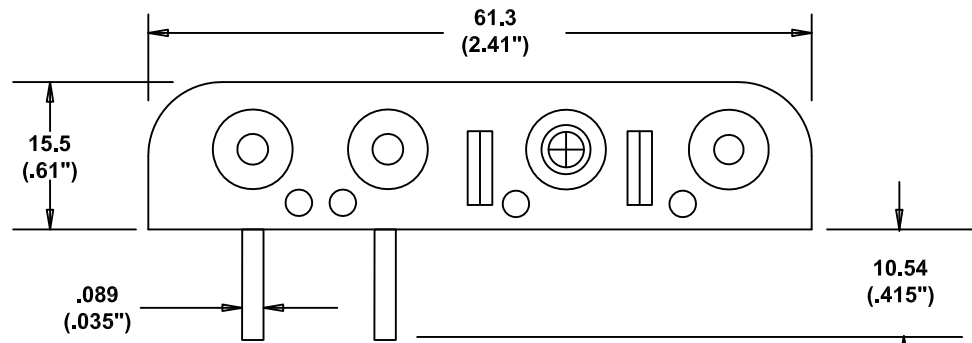
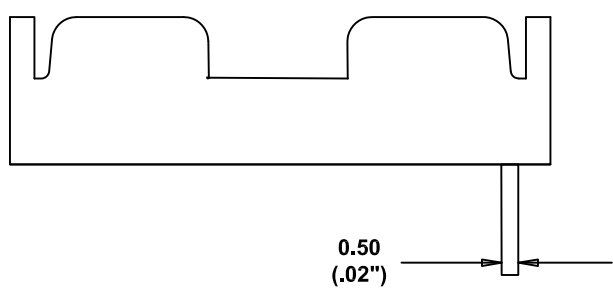
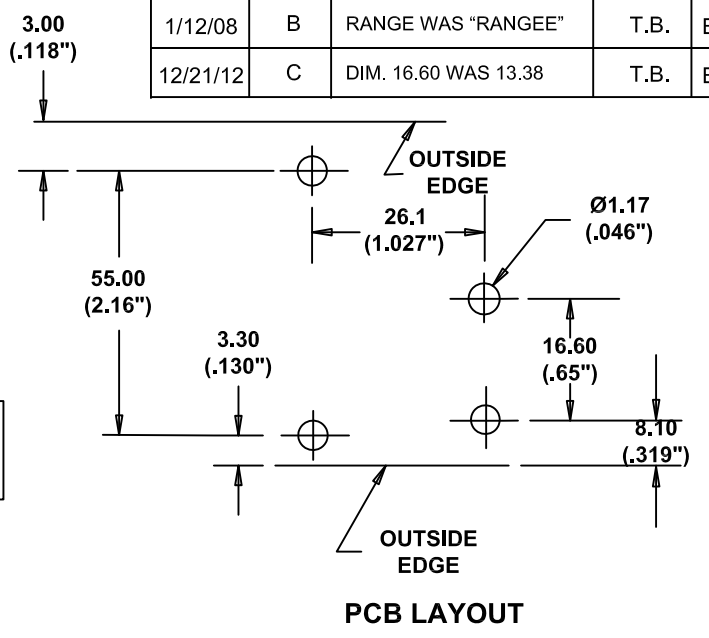


DATE	SYM	REVISION RECORD	AUTH	DR.	CK.
9/10/06	A	ADDED "ROHS COMPLIANT"	T.B.	B.S.	
1/12/08	B	RANGE WAS "RANGEE"	T.B.	B.S.	
12/21/12	C	DIM. 16.60 WAS 13.38	T.B.	B.S.	




ORDERING CODE BC4AA

SOLDER LUGS	= L
(6") WIRE LEADS	= W
9 VOLT TYPE SNAPS	= SF
PC PINS	= PC



Note: Dimensions in mm. (inches)

SPECIFICATIONS :
 Plastic material - polypropylene
 Flammability Rating-UL94 HB, UL File No. E216959
 Temperature Range: -10°C to +100°C
 Springs - nickel plated spring steel
 Wire - 152.4 mm Long 26 AWG, UL1007, CSA - TR-64, 300V, 80° C.
 Rivets - Brass, nickel plated
 9 Volts Snaps - Brass, nickel plated
 Contact Resistance: Under 50m for +/- contacts per EIA-540J000
 ROHS COMPLIANT

Tolerance (Except as noted)	 Memory Protection Devices, Inc 200 Broad Hollow Road, Farmingdale, New York 11735		
decimal ±.5 (.020)	Scale	Drawn By B.S.	
Fractional ± .8 (.030)	Title FOUR "AA" CELL HOLDER		
Angular ± 3°	Date 12/21/12	Drawing Number BC4AAPC	
		Approved By T.B.	