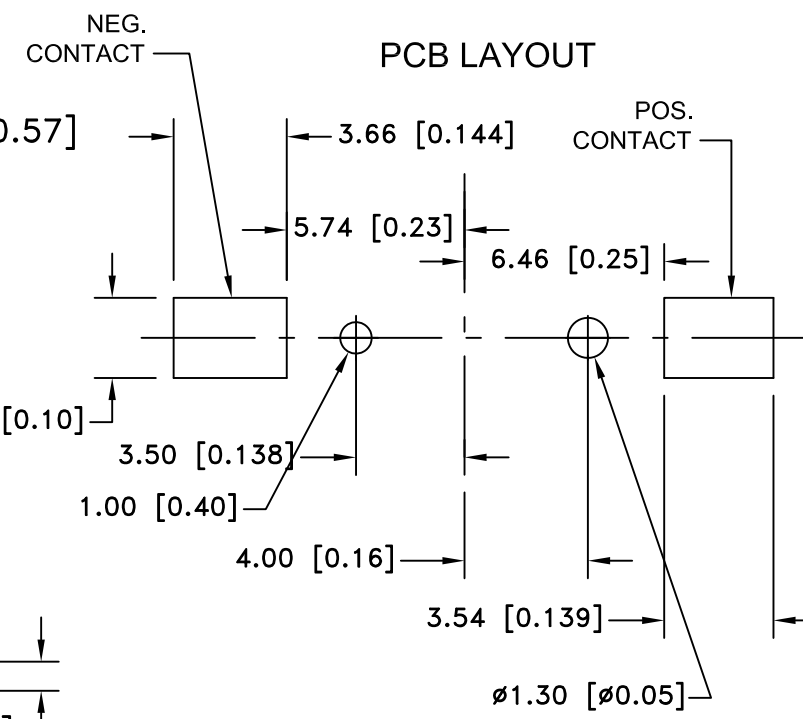
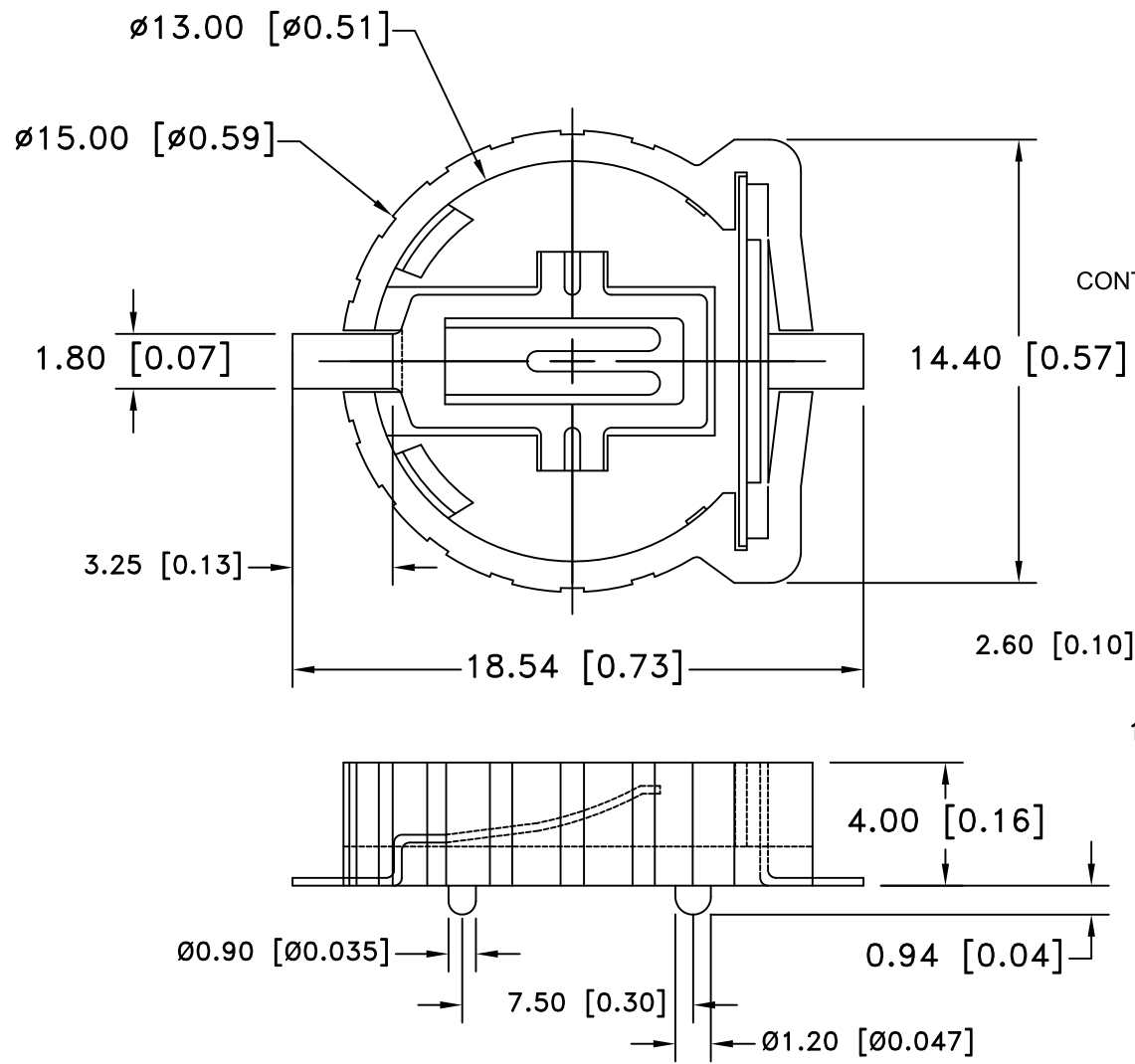



Date	SYM	REVISION RECORD	AUTH	DR.	CK.
12/02/06	B	ADDED DIM. 3.25	T.B.	B.S.	
2/17/07	C	UPDATED TITLE	T.B.	B.S.	
4/16/10	D	ADDED CENTER DIST. 7.50 ADDED DIM. Ø0.90 ADDED DIM. Ø1.20	T.B.	B.S.	
01/11/13	E	ADDED UL File # E109088	T.B.	B.S.	



NOTES:

- MATERIAL:
 HOUSING: GLASS FILLED PPS, UL94V-0, BROWN, UL FILE#E109088
 TERMINAL: 0.20mm [0.008] PHOSPHOR BRONZE, GOLD PLATED OVER NICKEL
- INSULATION RESISTANCE: 1000MΩ MIN
- CONTACT RESISTANCE: 20MΩ MAX.
- DIELECTRIC WITHSTANDING: AC 500V
- OPERATING TEMPERATURE: -40°C TO +85°C
- ROHS COMPLIANT

Tolerance (Except as noted)	 Memory Protection Devices, Inc 200 Broad Hollow Road, Farmingdale, New York 11735		
decimal ±.25 (.010)	Scale	Drawn By B.S.	
Fractional ± .8 (.030)	Approved By T.B.		
Angular + 2° - 1°	Title	COIN CELL HOLDER FOR CR1220	
	Date	Drawing Number	
	01/11/13	BC501SM	