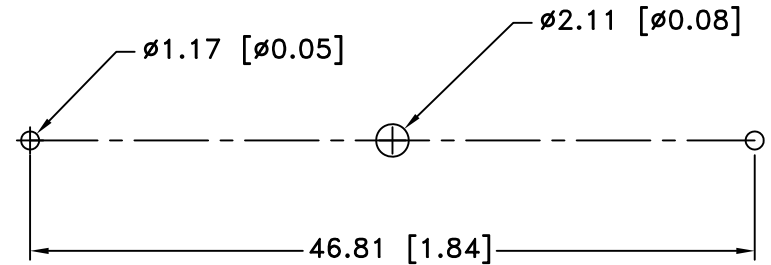
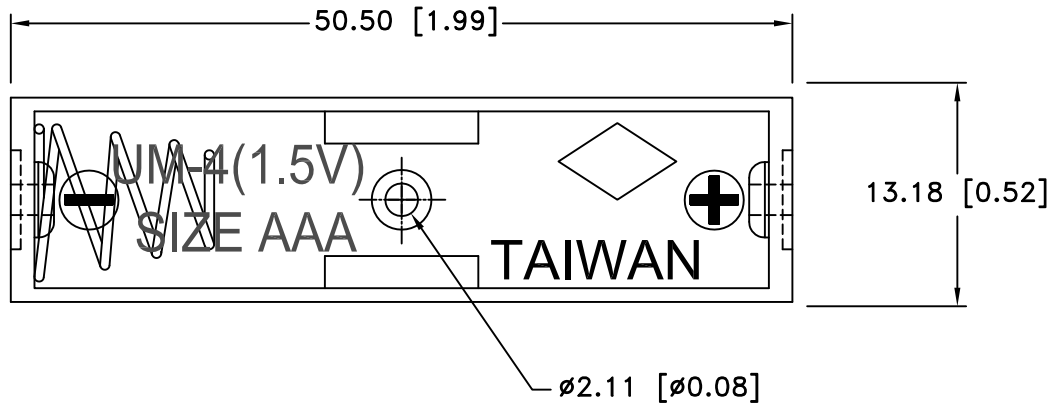
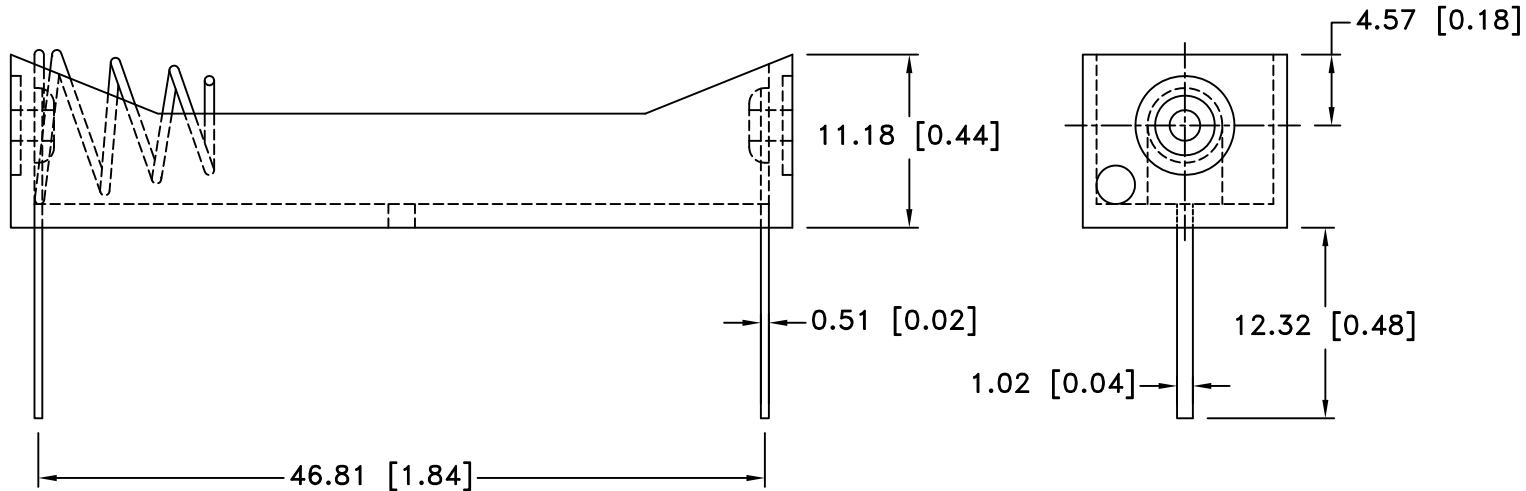


Date	SYM	REVISION RECORD	AUTH	DR.	CK.
7/29/06	A	ADDED "ROHS COMPLIANT"	T.B.	B.S.	
03/15/13	B	UPDATED TO ROHS 2 COMPLIANT	T.B.	B.S.	



PCB LAYOUT




NOTES:

- Plastic material - Polypropylene
- Flammability Rating -UL94-HB, UL File NO. E216959
- Temperature Range: -10°C to +100°C
- Springs - Nickel Plated Spring Steel
- PC Pins: Rolled Steel, Nickel Plated
- Rivets - Brass, Nickel Plated
- CONTACT RESISTANCE: UNDER 50mΩ FOR +/- CONTACTS PER EIA-540J000
- ROHS 2 COMPLIANT

Mounting Instruction:

Use 2-56 machine screws or eyelets 0.089" OD by 0.15" flange stimpson GS-3 series or equivalent. also adhesives and double sided tapes work well.

Tolerance (Except as noted)	 Memory Protection Devices, Inc 200 Broad Hollow Road, Farmingdale, New York 11735	Scale	Drawn By B.S.
		Approved By T.B.	
decimal ±.5 (.020)	Title ONE "AAA" CELL HOLDER		
Fractional ± .8 (.030)	Date 03/15/13	Drawing Number BCAAAPC	
Angular ± 3°			