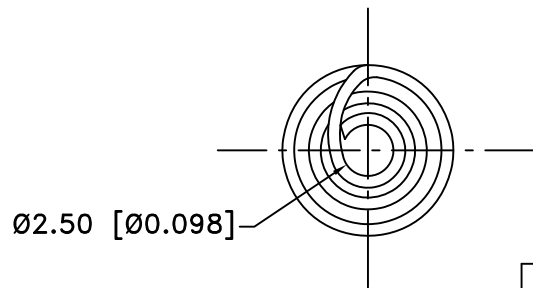
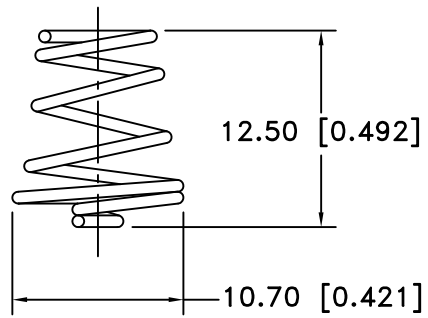
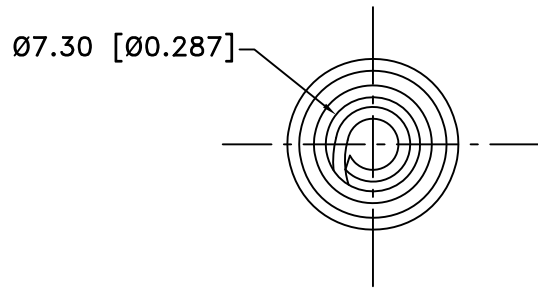



Date	SYM	REVISION RECORD	AUTH	DR.	CK.
9/20/13	A	UPDATED TO ROHS 2 COMPLIANT DIM. 10.7 WAS 11.05 DIM. 12.50 WAS 12.70 DIM. 7.30 WAS 6.10 DIM. 2.50 WAS 3.30	T.B.	B.S.	



NOTES:
MATERIAL: SPRING STEEL WIRE, HIGH CARBON STEEL, NICKLE PLTD
BCAA-HD WITH WIRE DIA 0.032" (0.8mm).
ROHS 2 COMPLIANT

Tolerance (Except as noted)	 Memory Protection Devices, Inc 200 Broad Hollow Road, Farmingdale, New York 11735	Scale	Drawn By B.S.
			Approved By T.B.
decimal ±.5 (.020)	Title AA BATTERY SPRING CONTACT, HEAVY DUTY	Date 9/20/13	
Fractional ± .8 (.030)		Drawing Number BC-AA-HD	
Angular ± 3°			