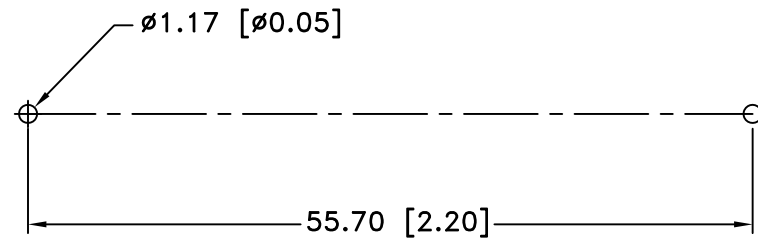
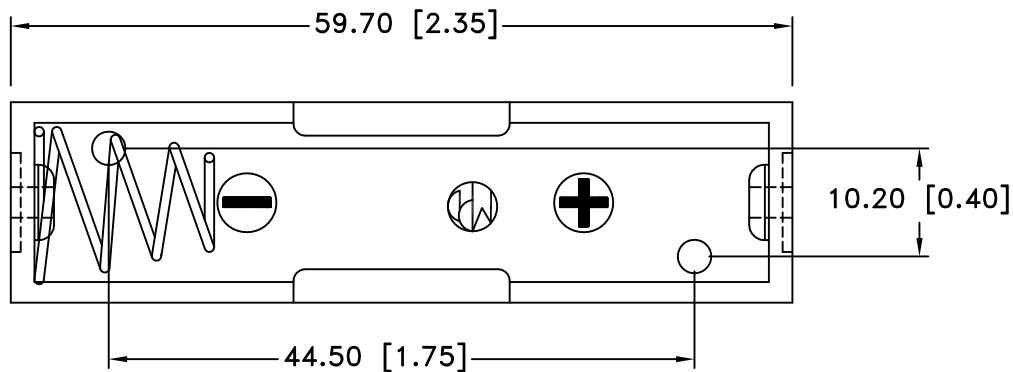
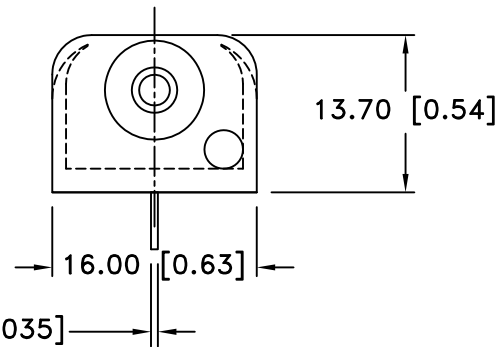
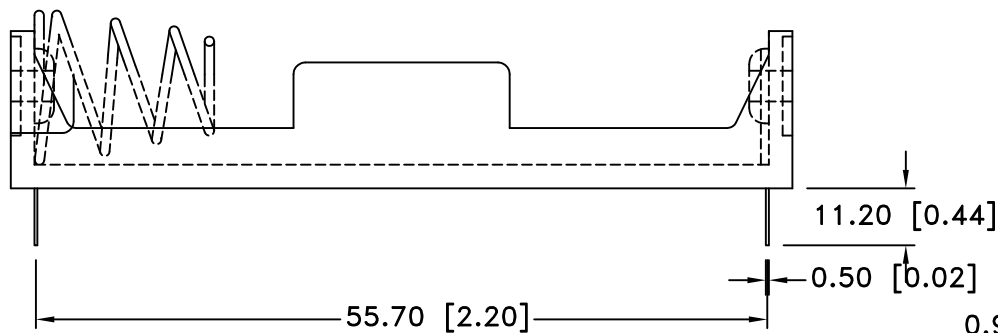


Date	SYM	REVISION RECORD	AUTH	DR.	CK.
3/18/06	B	UPDATED MATERIAL SPEC.	T.B.	B.S.	
4/29/06	C	ADDED CONTACT RESI. INFO	T.B.	B.S.	
10/02/09	D	REDRAWN. DIM. 59.70 WAS 56.30 DIM. 13.70 WAS 13.00 DIM. 16.00 WAS 16.40	T.B.	B.S.	
07/22/11	E	ADDED PCB LAYOUT	T.B.	B.S.	




PCB LAYOUT



NOTES:

- Plastic material - Polypropylene, Black
- Flammability Rating -UL94-HB, UL File NO. E216959
- Temperature Range: -10°C to +100°C
- Springs - Nickel Plated Spring Steel
- Rivets - Brass, Nickel Plated
- PC Pins - Brass, Nickel Plated
- Contact Resistance: Under 50mΩ for +/- contacts per EIA-540J000
- ROHS COMPLIANT

Tolerance (Except as noted)	 Memory Protection Devices, Inc 200 Broad Hollow Road, Farmingdale, New York 11735		
decimal ±.5 (.020)	Scale	Drawn By B.S.	
Fractional ± .8 (.030)	Title	ONE "AA" CELL HOLDER	
Angular ± 3°	Date	Drawing Number	
	07/22/11	BCAAPC	
		Approved By T.B.	