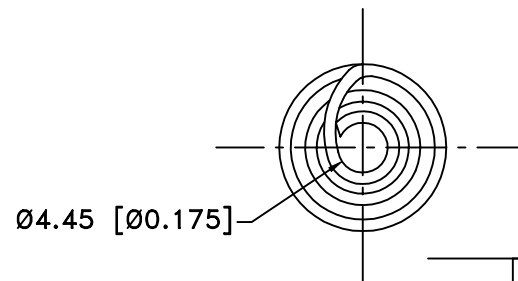
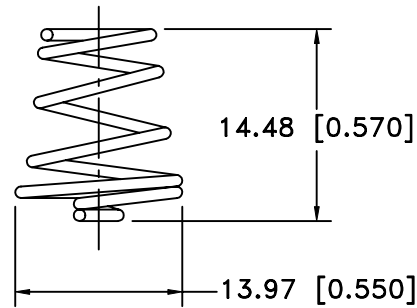
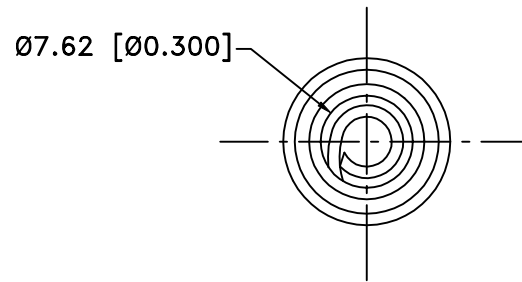



Date	SYM	REVISION RECORD	AUTH	DR.	CK.



NOTES:
MATERIAL: SPRING STEEL WIRE, NICKLE PLTD

Tolerance (Except as noted)	 Memory Protection Devices, Inc 200 Broad Hollow Road, Farmingdale, New York 11735			
decimal ±.5 (.020)		Scale	Drawn By B.S.	
			Approved By T.B.	
Fractional ± .8 (.030)	Title C BATTERY SPRING CONTACT			
Angular ± 3°	Date 05/25/01	Drawing Number BC-C		