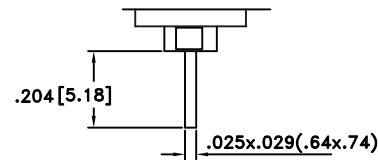
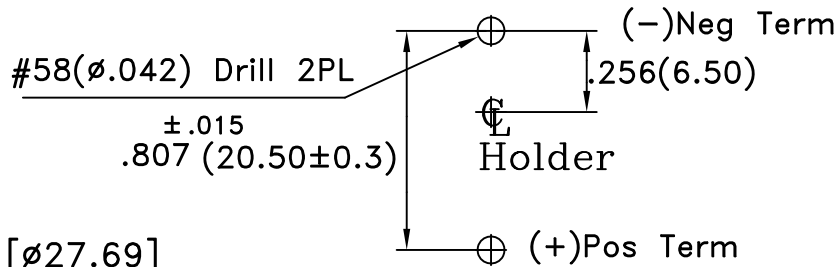
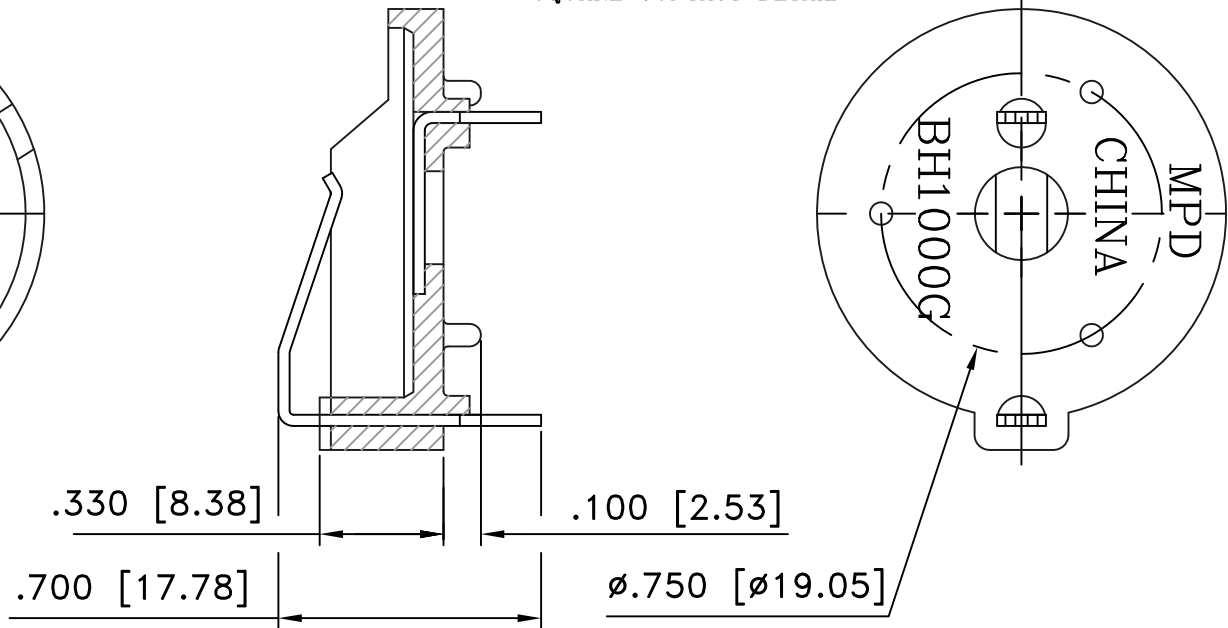
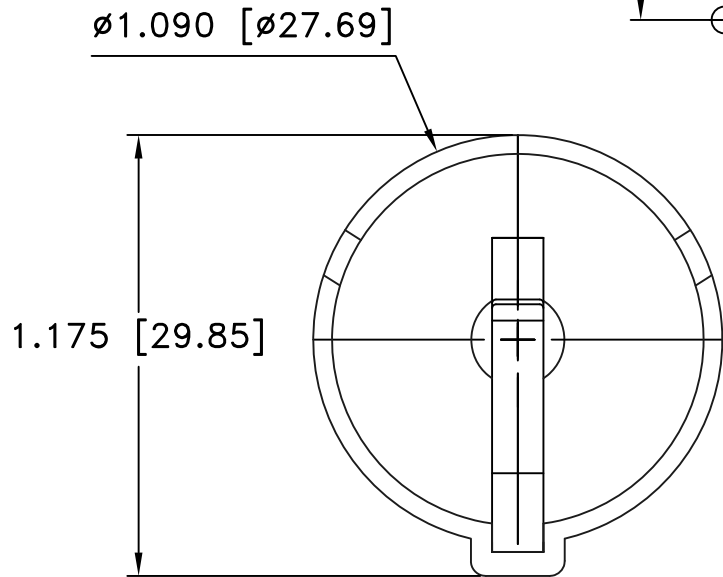


PCB LAYOUT

Date	SYM	REVISION RECORD	AUTH	DR.	CK.
1/28/06	B	ADDED "ROHS COMPLIANT"	T.B.	B.S.	
10/28/11	C	REMOVED TOL. FROM DIM. 0.204	T.B.	B.S.	




SQUARE CONTACT DETAIL



SPECIFICATIONS

- *Holder material—thermoplastic, black PBT
- *Flammability rating—UL94V-0, File No.88499(M)
- *Contacts—302 spring temper stainless steel nickel plated overall
- *Dielectric strength—560volts/mil at 25°C for 5seconds
- *Temperature range— -55° to +180°C
- *Resistance to solvents—Xylene,ethyl,butyl,methyl&proptl alcohol;ethyl acetate,heptane;toluene;refrigerant
- *ROHS COMPLIANT

Tolerance (Except as noted)	 Memory protection Devices, Inc 200 Broad Hollow Road, Farmingdale, New York 11735		
decimal ±.5 (.020)	Scale 4=1	Drawn By T.S. Approved By T.B.	
Fractional ± .8 (.030)	Title CR 2477 COIN BATTERY HOLDER		
Angular ± 3°	Date 10/28/11	Drawing Number BH1000G	