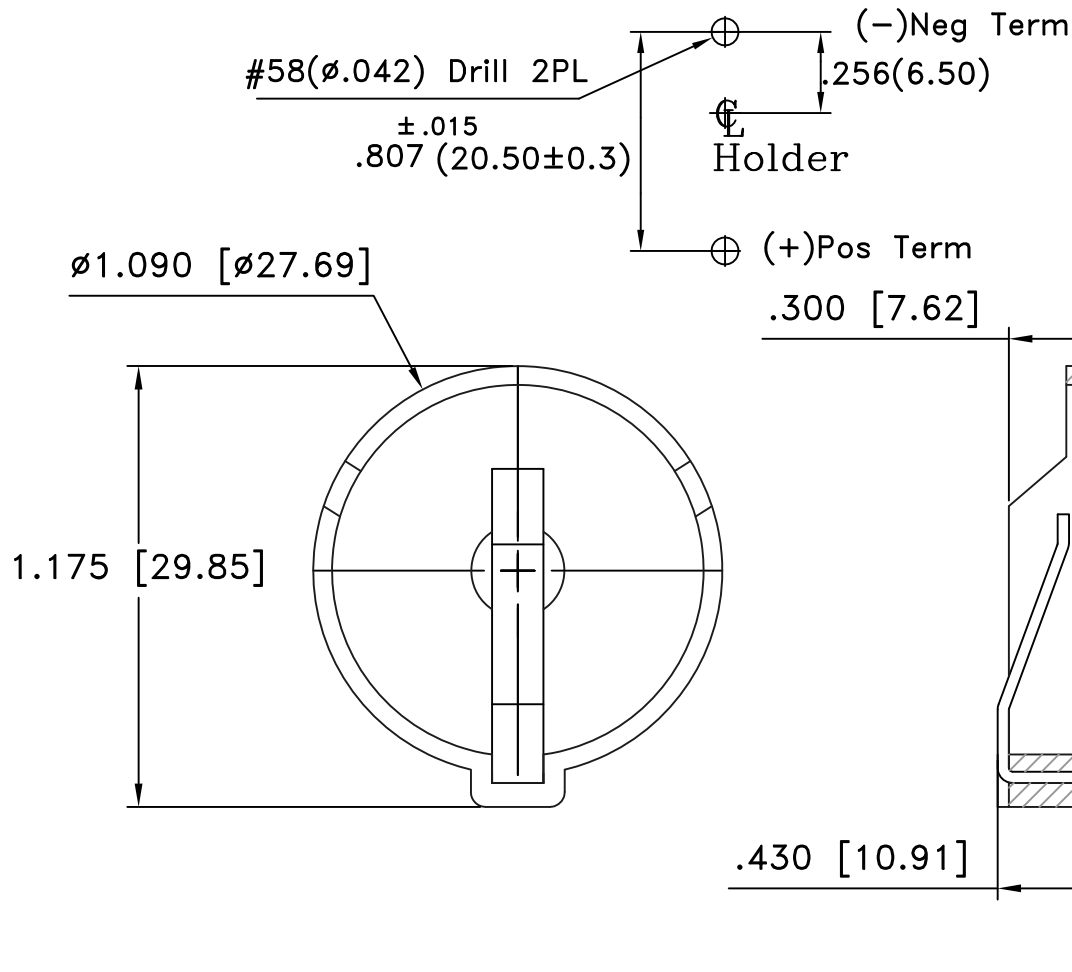
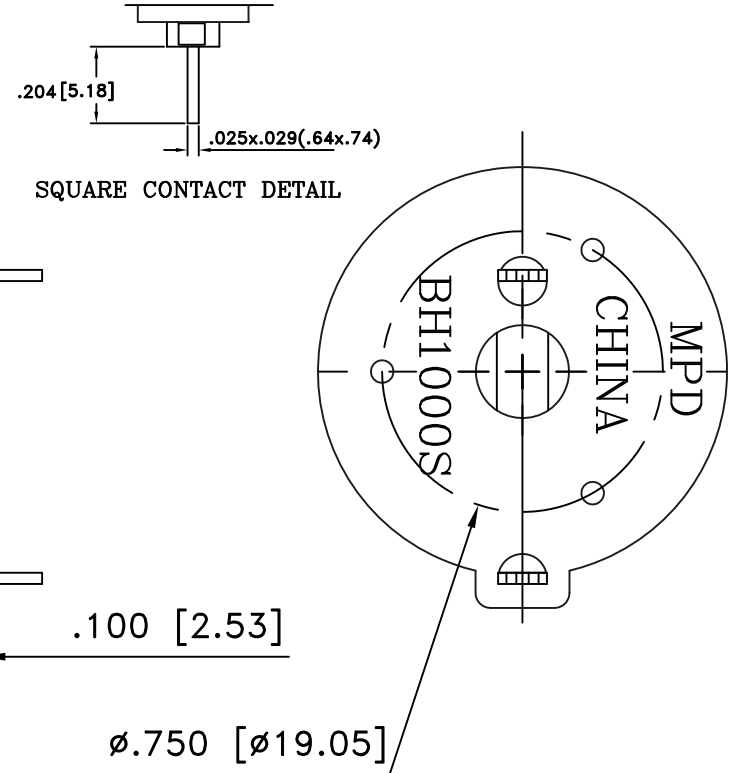


PCB LAYOUT




Date	SYM	REVISION RECORD	AUTH	DR.	CK.
5/06/06	B	ADDED "ROHS COMPLIANT"	T.B.	B.S.	
2/1/08	C	ADDED DIM. 0.135	T.B.	B.S.	
2/29/08	D	REMOVED DIM. 0.135	T.B.	B.S.	
10/28/11	E	REMOVED TOL. FROM DIM. 0.204	T.B.	B.S.	



SPECIFICATIONS

- *Holder material—thermoplastic, black PBT
- *Flammability rating—UL94V-0, File No.88499(M)
- *Contacts—302 spring temper stainless steel nickel plated overall
- *Dielectric strength—560volts/mil at 25°C for 5seconds
- *Temperature range— -55° to +180°C
- *Resistance to solvents—Xylene,ethyl,butyl,methyl&proptl alcohol;ethyl acetate,heptane;toluene;refrigerant
- *ROHS COMPLIANT

Tolerance (Except as noted)	 Memory protection Devices, Inc 200 Broad Hollow Road, Farmingdale, New York 11735		
decimal ±.5 (.020)		Scale 4=1	Drawn By B.S. Approved By T.B.
Fractional ± .8 (.030)	Title BR/CR/DL (2)2420 OR (1)2450 OR (2)2430 COIN BATTERY HOLDER		
Angular ± 3°	Date 10/28/11	Drawing Number BH1000S	