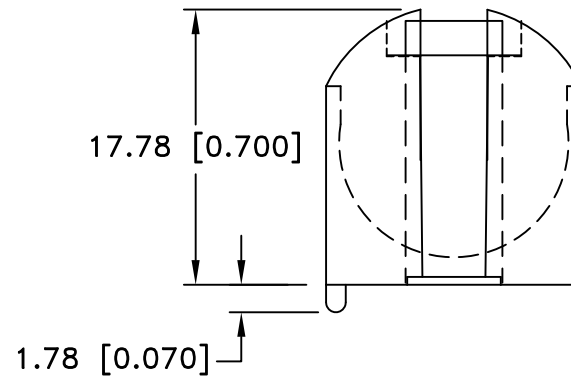
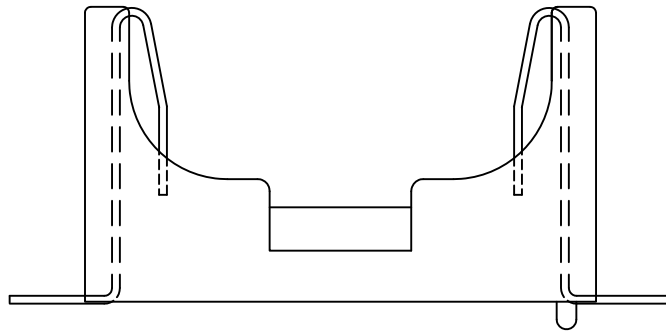
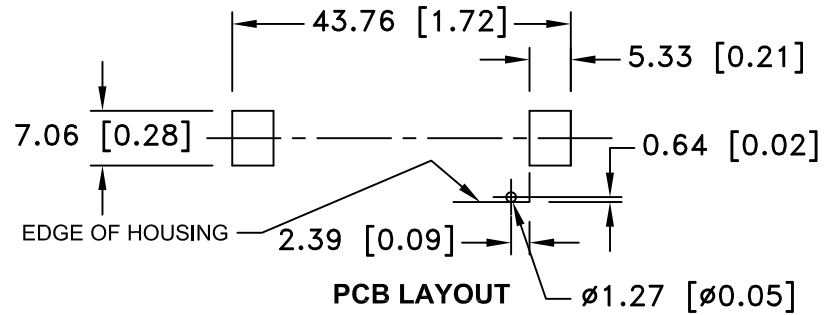
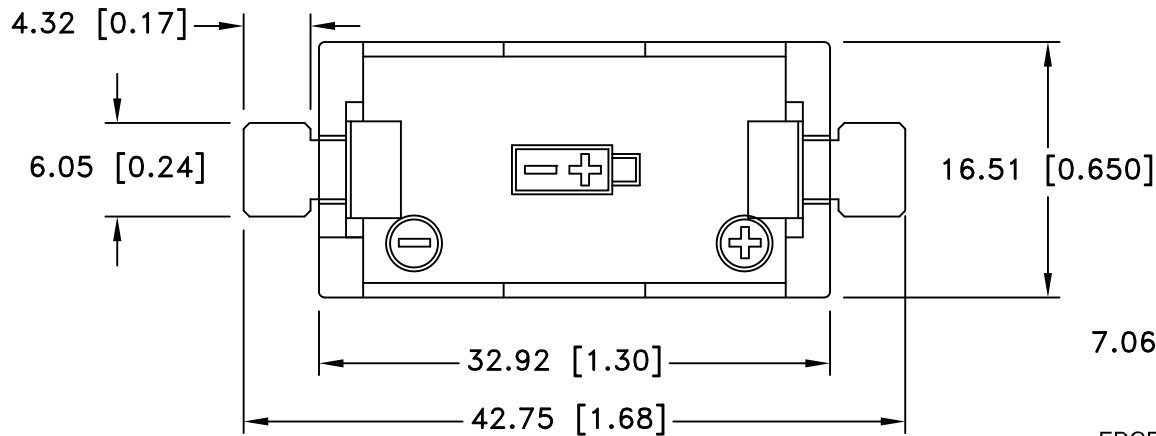


Date	SYM	REVISION RECORD	AUTH	DR.	CK.
5/22/09	A	ADDED TEST RESULTS	T.B.	B.S.	
9/04/09	B	ADDED PIN LOCATION	T.B.	B.S.	



SPECIFICATIONS:

HOLDER MATERIAL: NYLON 46, 30% GLASS REINFORCED

FLAMABILITY RATING:UL94-HB, FILE #E47960

CONTACTS: 301 SPRING TEMPER STAINLESS STEEL,

GOLD FLASH 1u -3u

TEMPERATURE RANGE: -40°C TO +270°C

* VIBRATION TEST: 10-50-10 HZ SWEEPED IN 60 SECONDS

X,Y,Z DIRECTION: 1 HOUR EACH DIRECTION

* RESULT: NO DISLODGE MENT OF THE CELL OR DAMAGE
NO DISCONTINUITY OVER 10 MICRO-SECONDS


* SHOCK TEST: HALF SINE WAVE ACCELERATION 150G, 6 MICRO-SECONDS
3 SHOCK PULSES EACH DIRECTION PER AXIS, TOTAL OF 18 PULSES

* RESULT: NO EVIDENCE OF PHYSICAL DAMAGE

* DROP TEST: DROPPED FROM 1M HIGH TO CONCRETE FLOOR

* RESULT: NO EVIDENCE OF PHYSICAL DAMAGE

ROHS COMPLIANT

Tolerance (Except as noted)		Memory Protection Devices, Inc	
		200 Broad Hollow Road, Farmingdale, New York 11735	
decimal $\pm .5 (.020)$	Title	Scale	Drawn By B.S.
		Approved By T.B.	
Fractional $\pm .8 (.030)$	1/2AA BATTERY HOLDER, PCB MOUNTING		
Angular $\pm 3^\circ$	Date 9/04/09	Drawing Number BH1/2AA-SM	