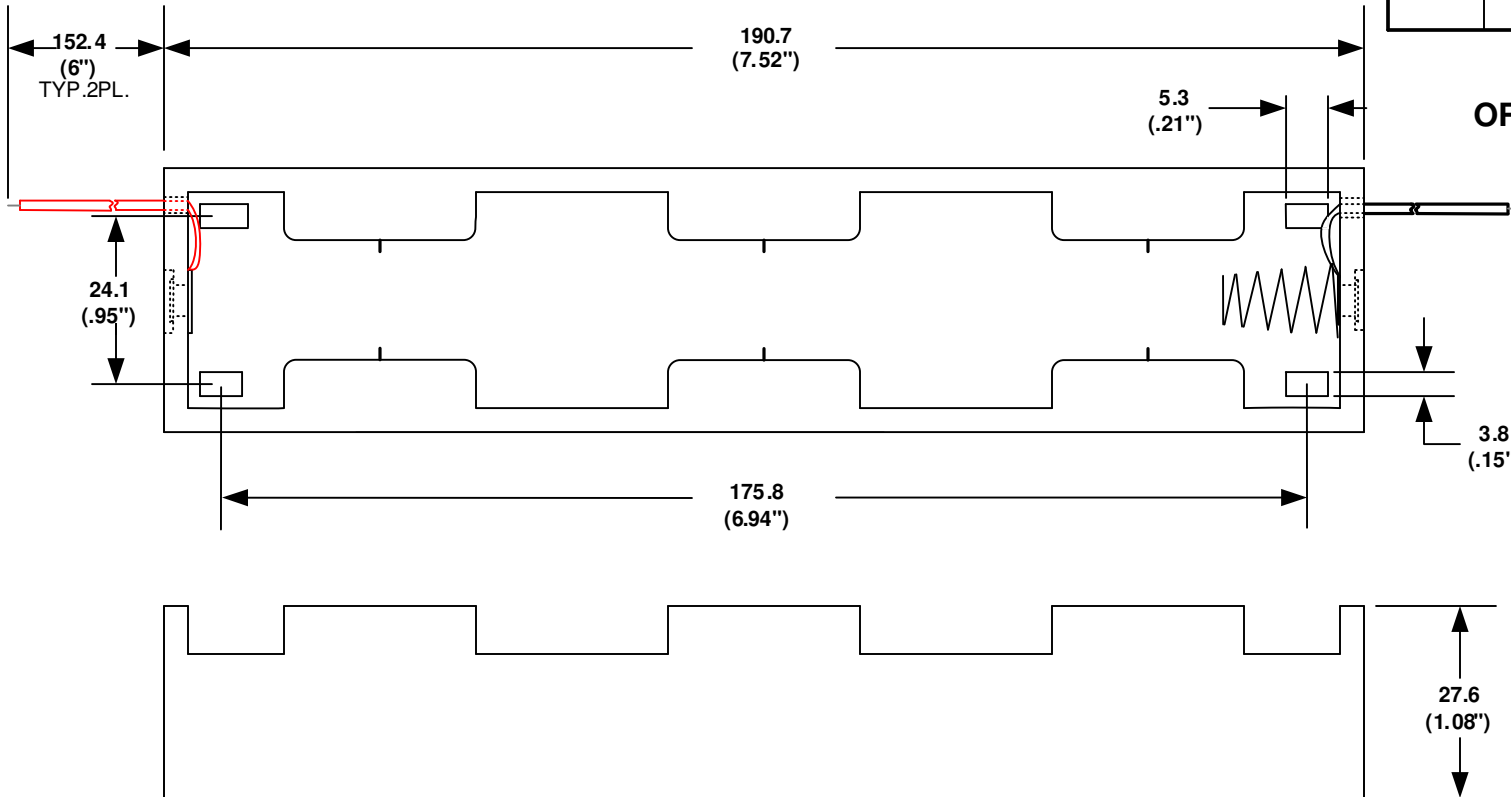


DATE	SYM	REVISION RECORD	AUTH	DR.	CK.
1/12/08	A	ADDED "ROHS COMPLIANT" UPDATED SPECIFICATION	T.B.	B.S.	



ORDERING CODE BH13D


**SOLDER LUGS = L
WIRE LEADS = W**

SOLDER LUGS SHOWN ABOVE

SPECIFICATIONS :

Plastic material - polypropylene
 Flammability rating-UL94 HB, UL file no. E216959
 Temperature Range: -10°C to +100°C
 Springs - nickel plated spring steel Wire - 152.4 mm Ref.Long 26 AWG,
 UL1007, CSA - TR-64, 300V, 80 C.
 Rivets - Brass, nickel plated
 9 Volts Snaps - Brass, nickel plated
 Contact Resistance: Under 50mΩ for +/- contacts per EIA-540J000
 ROHS COMPLIANT

Note: Dimensions in mm. (inches)

TOLERANCES (EXCEPT AS NOTED)		 Memory Protection Devices, Inc. 200 Broad Hollow Road, Farmingdale, New York 11735	
DECIMAL			
+ .5 (.020") - .5 (.020")		-----	APPROVED BY
FRACTIONAL	TITLE	THREE "D" CELL HOLDER	
+ .8 (.030") - .8 (.030")			
ANGULAR	DATE	DRAWING NUMBER	
+ 3° - 3°	1/12/2008	BH13DW	