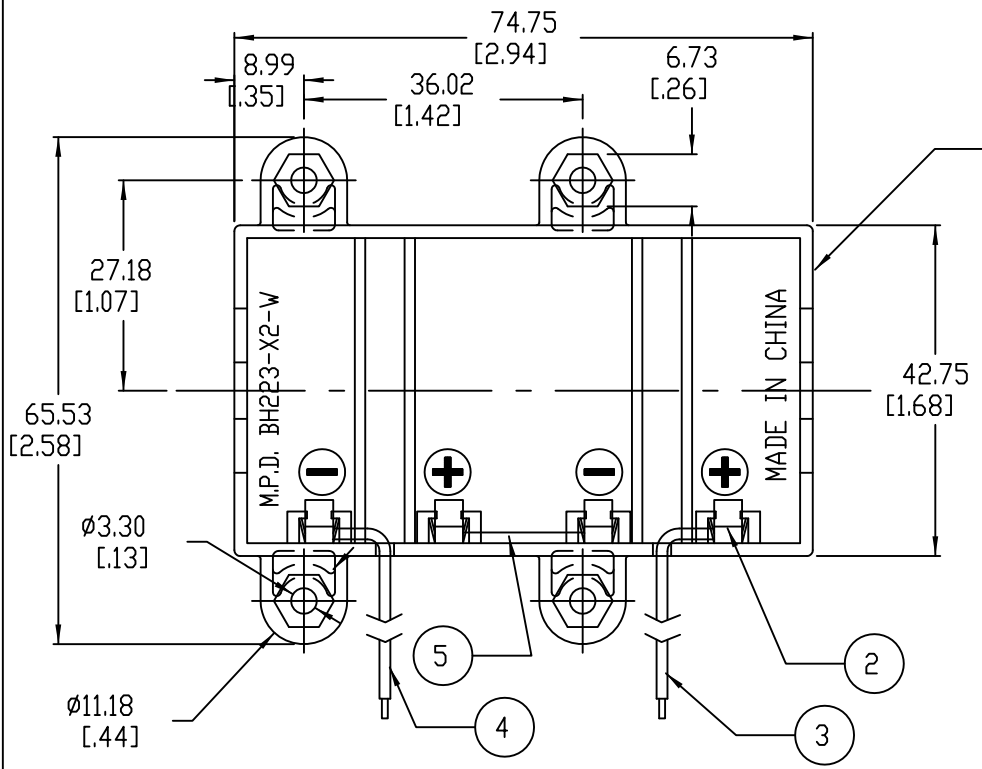
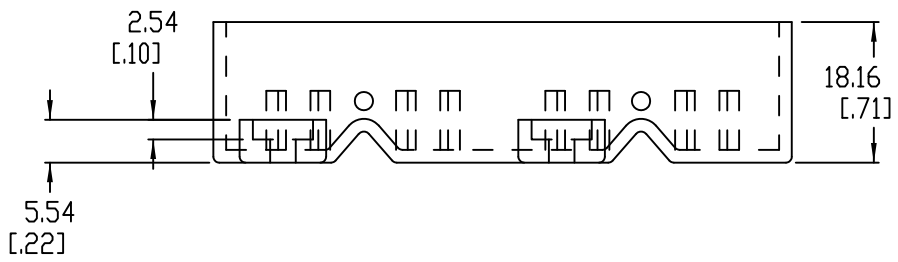


Date	SYM	REVISION RECORD	AUTH	DR.	CK.
04/26/13	A	Updated to ROHS 2 Compliant	T.B.	B.S.	




### ROHS 2 COMPLIANT

ITEM NO.	PART NAME	MATL. SPECIFICATION	QTY.
1	MPD BATTERY CASE, DL223A TYPE	IMPACT MODIFIED HDPE, BLACK	1
2	ABG-161 CONTACT	PHOSPORUS BONZE, NICKLE PLTD.	4
3	WIRE	12V LEAD, RED, #24 AWG, 6' LONG	1
4	WIRE	GROUND LEAD, BLACK. #24 AWG, 6' LONG	1
5	JUMPER	#24 AWG, 1.75' LONG	1



ACCEPTS: TWO DL223A OR CRP2 BATTERIES  
 REQUIRES: FOUR .265" HEX NUTS TO MOUNT

Tolerance (Inches)	 <b>Memory Protection Devices, Inc</b> 200 Broad Hollow Road, Farmingdale, New York 11735		
Decimal ±.5 (.020)	Scale	Drawn By B.S. Approved By T.B.	
Fractional ± .8 (.030)	Title 12 VOLTS OUTPUT, HOLDS TWO DL223A BATTERIES		
Angular ± 3°	Date 04/26/13	Drawing Number BH223-X2-W	