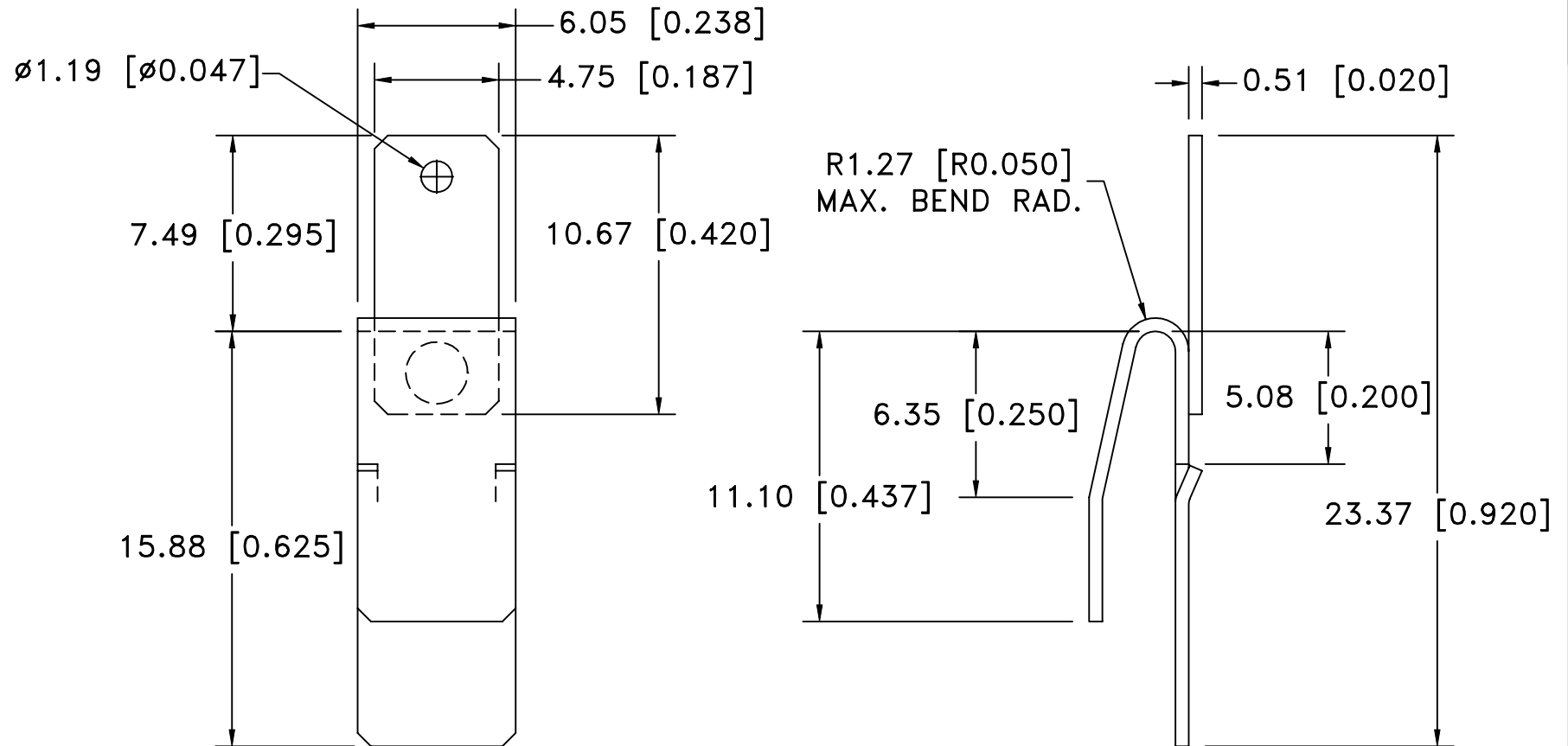



Date	SYM	REVISION RECORD	AUTH	DR.	CK.



NOTES:

1. MATERIAL: 0.51mm (0.020") THICK STAINLESS STEEL (302 OR 304)
2. FINISH: ELECTROLESS NICKLE PLATE, 0.0001"-0.0003" THICK

Tolerance (Except as noted)	 Memory Protection Devices, Inc 200 Broad Hollow Road, Farmingdale, New York 11735		
decimal ±.5 (.020)		Scale	Drawn By B.S. Approved By T.B.
Fractional ± .8 (.030)	Title .187" TAB CONTACT FOR AA, 2/3A AND 1/2AA CELLS		
Angular ± 3°	Date 05/25/01	Drawing Number BH2/3TER-T	