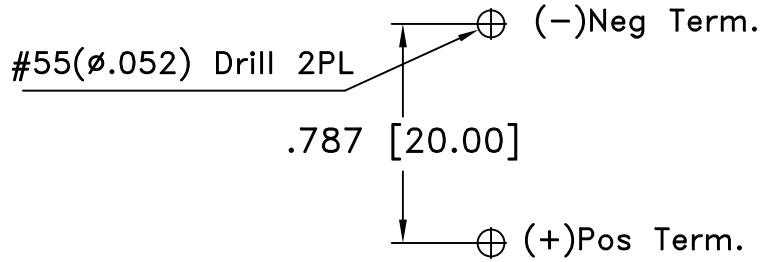
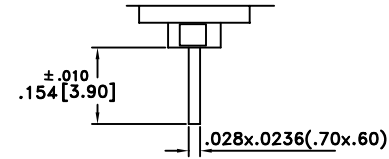
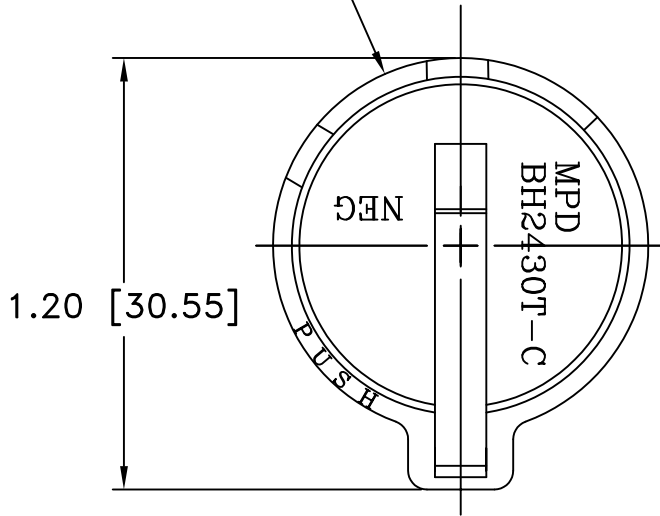


PCB LAYOUT

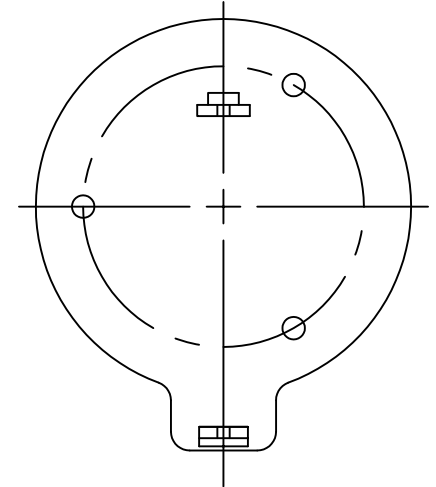
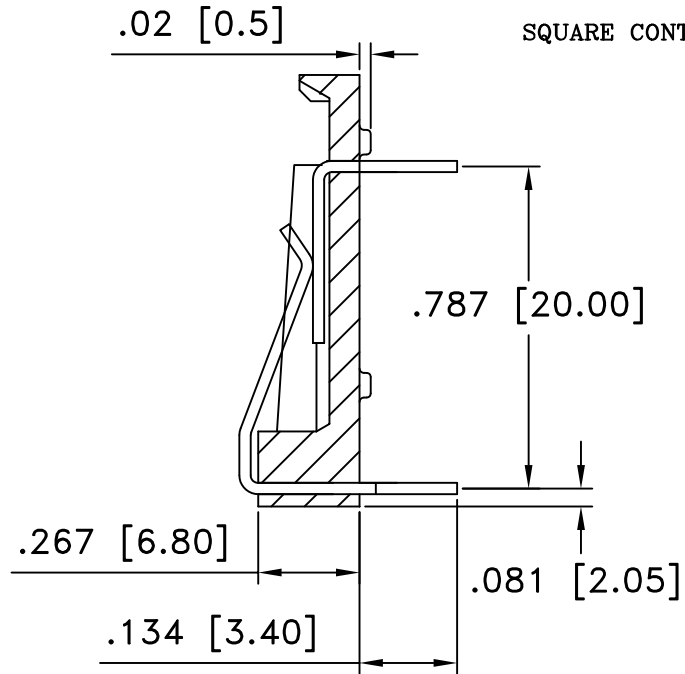
Date	SYM	REVISION RECORD	AUTH	DR.	CK.
10/01/05	A	Added contact details. Material thickness was 0.020"	T.B.	B.S.	
4/22/06	B	Added "ROHS COMPLIANT"	T.B.	B.S.	
1/11/08	C	Dim. .154 was .204 Dim. .028 was .025	T.B.	B.S.	



ø1.13 [ø28.80]




SQUARE CONTACT DETAIL



SPECIFICATIONS

- *Holder material- Black PBT
- *Flammability rating-UL94V-0, UL file no. E53829
- *Contacts :
 Positive: 0.0236" thick PHOS-BRONZE, Nickel Pltd.
 Negative: 0.0236" thick spring tempered Stainless Steel, Nickel Pltd.
- *Temperature Range: -40°C to +140°C
- ROHS COMPLIANT

Tolerance (Except as noted)	 Memory protection Devices, Inc 200 Broad Hollow Road, Farmingdale, New York 11735		
decimal ±.5 (.020)	Scale	Drawn By B.S. Approved By T.B.	
Fractional ± .8 (.030)	Title BATTERY HOLDER		
Angular ± 3°	Date 1/11/08	Drawing Number BH2430T-C	