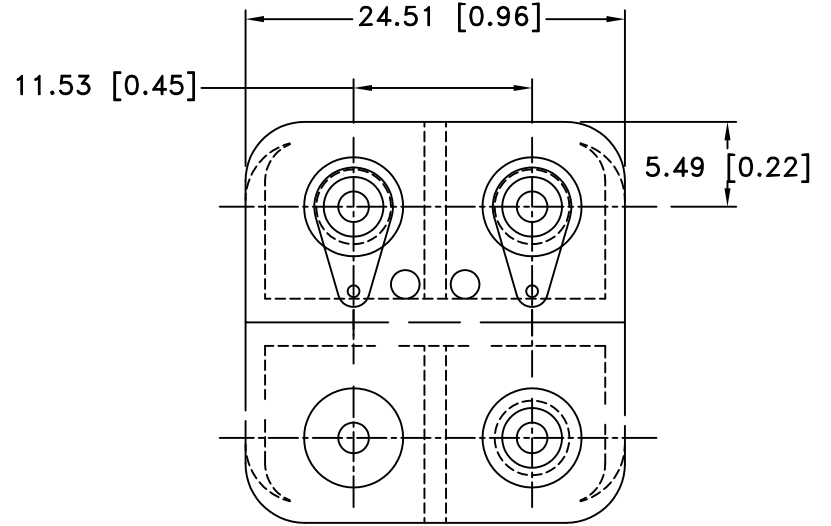
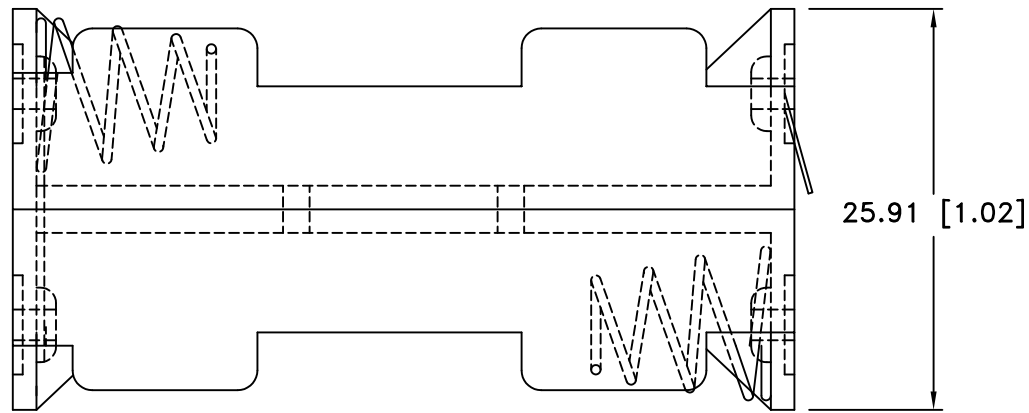
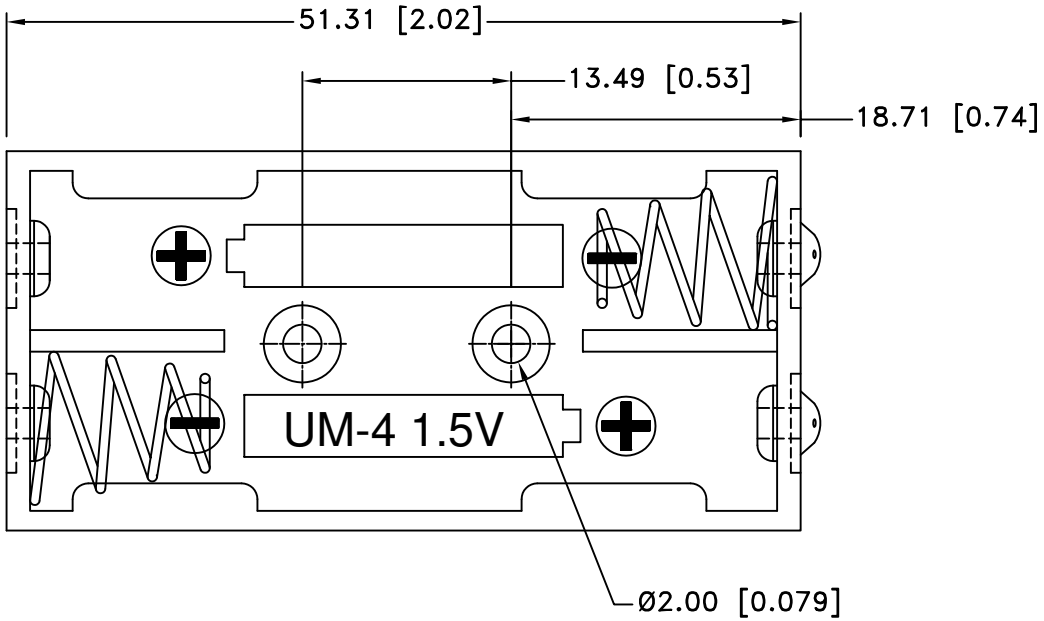



Date	SYM	REVISION RECORD	AUTH	DR.	CK.
9/23/06	A	ADDED "ROHS COMPLIANT" UPDATED MATERIAL NOTES	T.B.	B.S.	
4/04/08	B	ADDED DIM. 25.91	T.B.	B.S.	



NOTES:

1. MATERIAL:  
 HOUSING : BLACK POLYPROPYLENE  
 FLAMMABILITY RATING -UL94-HB, UL FILE NO. E216959  
 TEMPERATURE RANGE: -10°C to +100°C  
 RIVETS: BRASS, NICKLE PLATED.  
 SPRING: SPRING STEEL, NICKLE PLATED.  
 9 VOLTS SNAPS: BRASS, NICKLE PLATED.  
 CONTACT RESISTANCE: UNDER 50mΩ FOR +/- CONTACTS PER  
 EIA-540J000

ROHS COMPLIANT.

Tolerance (Except as noted)	 <b>Memory Protection Devices, Inc</b> 200 Broad Hollow Road, Farmingdale, New York 11735		
decimal		Scale	Drawn By B.S.
$\pm .5$ (.020)			Approved By T.B.
Fractional	Title		
$\pm .8$ (.030)	FOUR "AAA" CELL HOLDER		
Angular	Date	Drawing Number	
$\pm 3^\circ$	4/04/08	BH24AAAL	