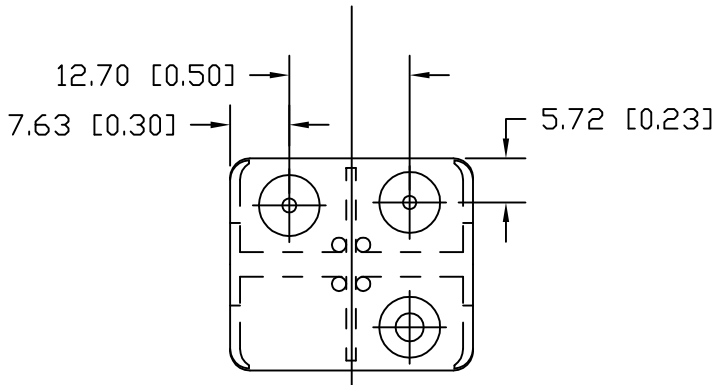
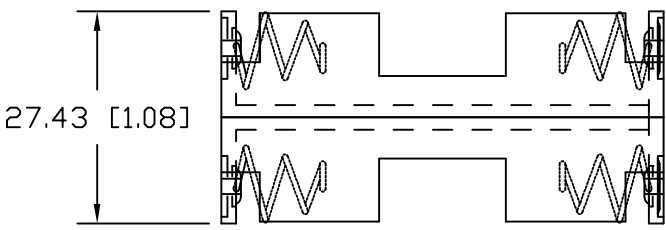
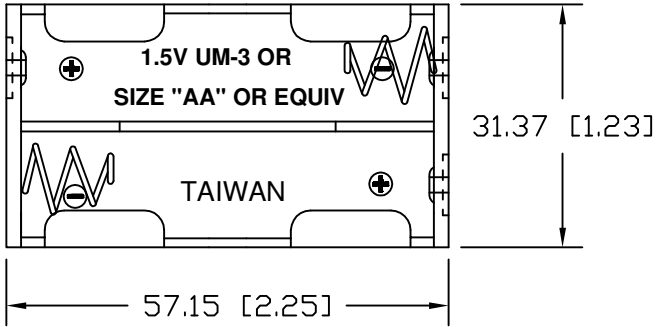



Date	SYM	REVISION RECORD	AUTH	DR.	CK.
3/18/06	A	UPDATED MATERIAL SPEC.	T.B.	B.S.	
5/06/06	B	ADDED CONTACT RESI. INFO.	T.B.	B.S.	
3/10/07	C	ADDED DIM. 12.70 [0.50]	T.B.	B.S.	
3/18/07	D	ADDED DIM. 7.63 AND 5.72	T.B.	B.S.	



MATERIAL:
 HOUSING: POLYPROPYLENE
 FLAMMABILITY RATING -UL94 HB, UL FILE NO. E216959
 TEMPERATURE RANGE: -10°C to +100°C
 SPRINGS: SPRING STEEL, NICKEL PLATED
 RIVETS: BRASS, NICKEL PLATED
 CONTACT RESISTANCE: UNDER 50mΩ FOR +/- CONTACTS PER EIA-540J000
 ROHS COMPLIANT

Tolerance (Inches)	 Memory Protection Devices, Inc 200 Broad Hollow Road, Farmingdale, New York 11735		
Decimal ±.5 (.020)		Scale	Drawn By B.S.
Fractional ± .8 (.030)	Title 4 "AA" BATTERY HOLDER		
Angular ± 3°	Date 3/18/07	Drawing Number BH24AAB	
		Approved By T.B.	