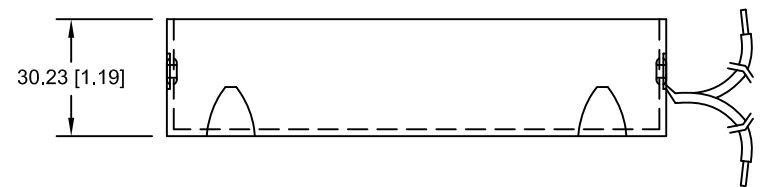
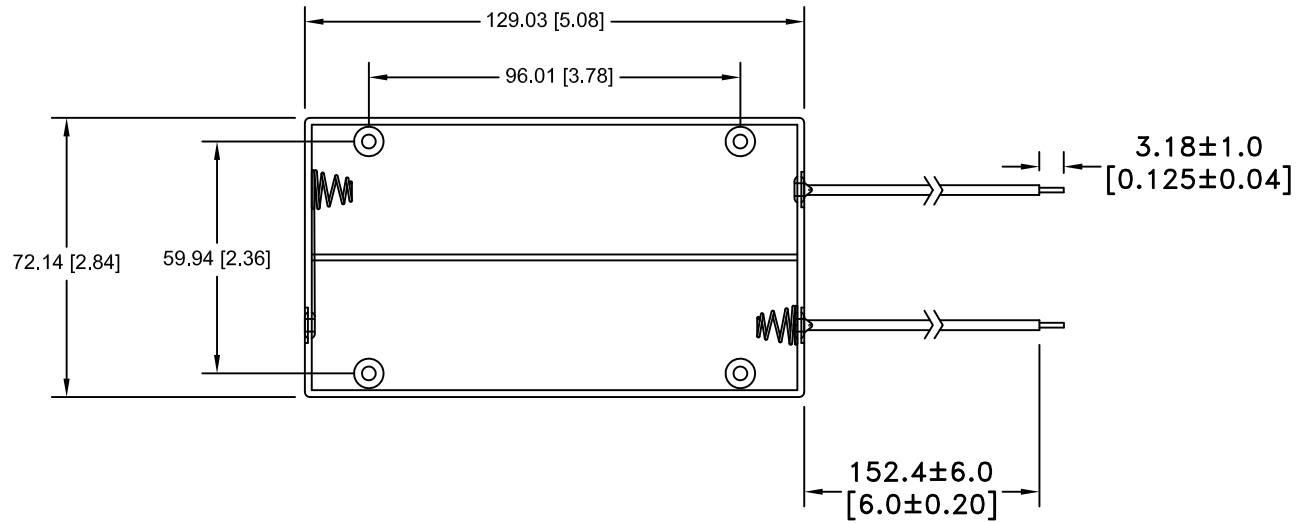


Date	SYM	REVISION RECORD	AUTH	DR.	CK.
09/21/12	A	REDRAWN IN AUTOCAD	T.B.	B.S.	
05/31/13	B	UPDATED TO ROHS 2 COMPLIANT	T.B.	B.S.	




NOTES:

SPECIFICATION:

1. MATERIAL:

HOUSING : BLACK POLYPROPYLENE
 FLAMMABILITY RATING -UL94-HB, UL FILE NO. E216959
 TEMPERATURE RANGE: -10°C to +100°C
 RIVETS: BRASS, NICKLE PLTD.
 WIRE: 26 AWG, 152.4mm LONG
 SPRING: SPRING STEEL, NICKLE PLTD.
 CONTACT RESISTANCE: UNDER 50mΩ FOR +/- CONTACTS PER EIA-540J000
 ROHS 2 COMPLIANT

Tolerance (Except as noted)	 Memory Protection Devices, Inc 200 Broad Hollow Road, Farmingdale, New York 11735	Scale	Drawn By B.S.
			Approved By T.B.
decimal ±.5 (.020)	Title 4 "D" CELL HOLDER WITH WIRE LEADS	Date 05/31/13	
Fractional ± .8 (.030)		Drawing Number BH24DW	
Angular ± 3°			