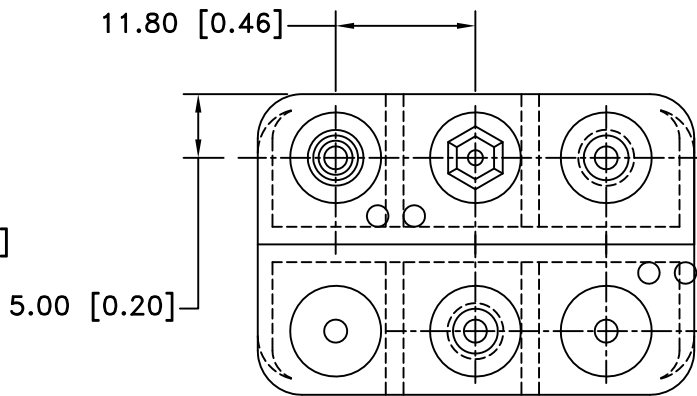
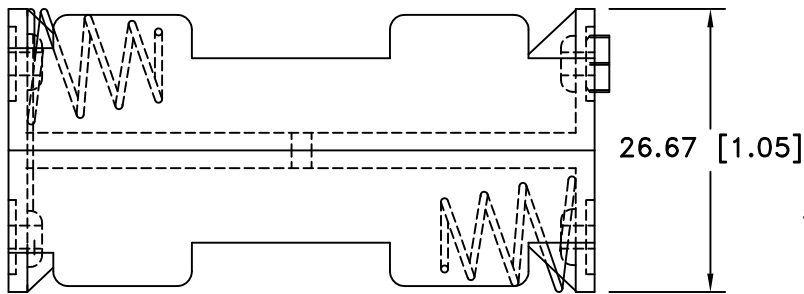
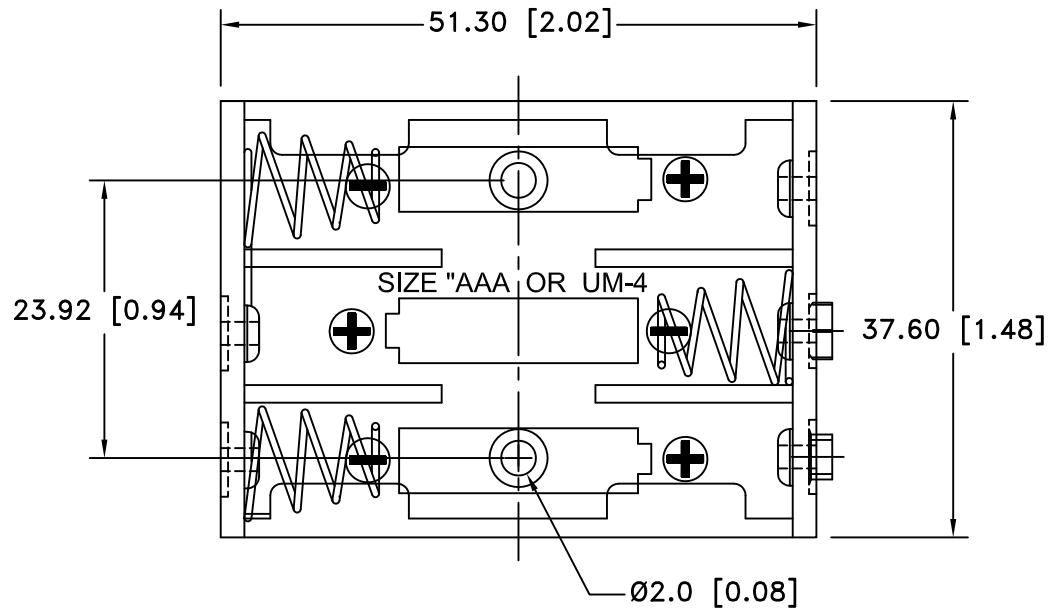



Date	SYM	REVISION RECORD	AUTH	DR.	CK.
5/13/06	A	ADDED "ROHS COMPLIANT" UPDATED MATERIAL SPEC.	T.B.	B.S.	
03/29/13	B	UPDATED TO "ROHS 2 COMPLIANT"	T.B.	B.S.	



NOTES:

- Plastic material - Polypropylene, Black
- Flammability Rating -UL94-HB, UL File NO. E216959
- Temperature Range: -10°C to +100°C
- Springs - Nickel Plated Spring Steel
- Rivets - Brass, Nickel Plated
- 9Volt Snaps - Brass, Nickel Plated
- Contact Resistance: Under 50mΩ for +/- contacts per EIA-540J000
- ROHS 2 COMPLIANT

Tolerance (Except as noted)	 Memory Protection Devices, Inc 200 Broad Hollow Road, Farmingdale, New York 11735	Scale	Drawn By B.S.
			Approved By T.B.
decimal ±.5 (.020)	Title SIX "AAA" CELL HOLDER	Date 03/29/13	
Fractional ± .8 (.030)		Drawing Number BH26AAASF	
Angular ± 3°			