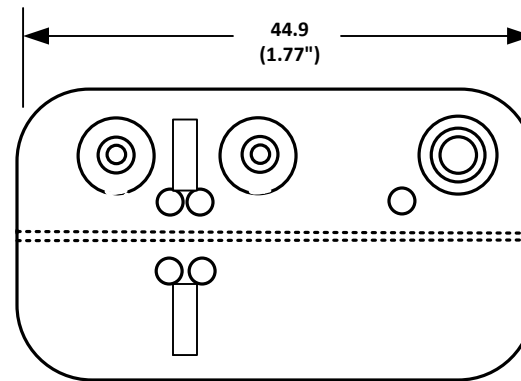
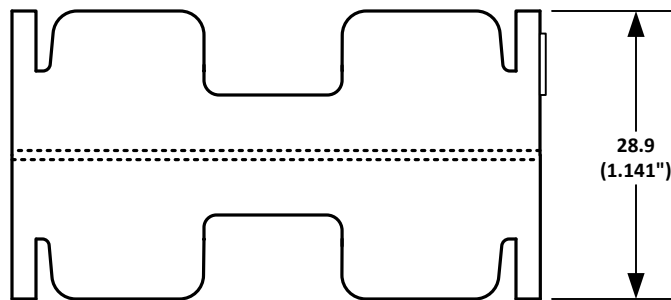
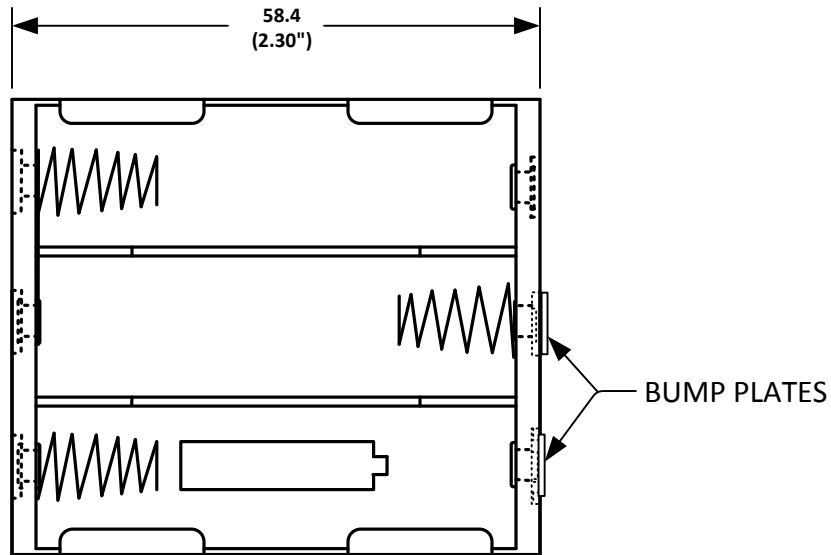



DATE	SYM	REVISION RECORD	AUTH	DR.	CK.



SPECIFICATIONS :

Plastic material - polypropylene
 Flammability rating-UL94 HB, UL file no. E216959
 Temperature Range: -10°C to +100°C
 Springs - nickel plated spring steel
 Bump plates - Brass, nickel plated
 Contact Resistance: Under 50mΩ for +/- contacts per EIA-540J000
 ROHS COMPLIANT

Note: Dimensions in mm. (inches)

TOLERANCES (EXCEPT AS NOTED)	 Memory Protection Devices, Inc. 200 Broad Hollow Road, Farmingdale, New York 11735		
DECIMAL + .5 (.020") - .5 (.020")	SCALE NONE	DRAWN BY B.S.	
FRACTIONAL + .8 (.030") - .8 (.030")	TITLE SIX "AA" CELL HOLDER WITH BUMP PLATES		
ANGULAR + 3° - 3°	DATE 08/19/2011	DRAWING NUMBER BH26AAB	
APPROVED BY			