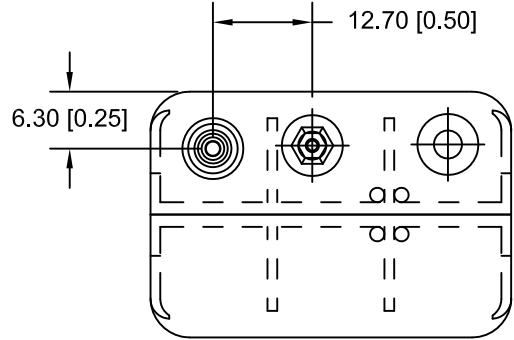
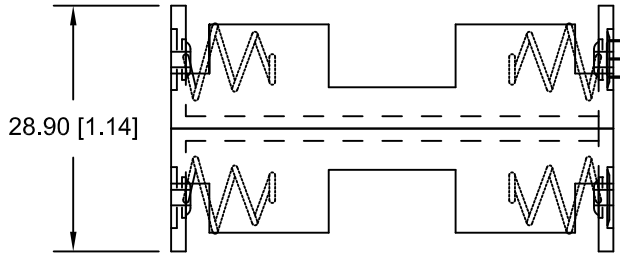
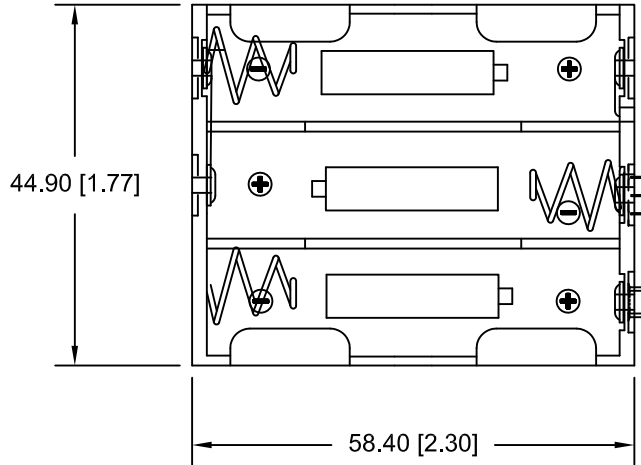



Date	SYM	REVISION RECORD	AUTH	DR.	CK.
05/06/06	C	ADDED CONTACT RESI. INFO.	T.B.	B.S.	
11/08/13	D	REDRAWN IN AUTOCAD UPDATED SPECIFICATION	T.B.	B.S.	



**SPECIFICATIONS:**

Plastic Material: Polypropylene  
 Flammability rating: UL94 HB, UL File # E216959  
 Temperature Range: -10°C to +100°C  
 Springs: Nickel Plated Spring Steel  
 Rivets: Brass, Nickel Plated  
 9V Snaps: Brass, Nickel Plated  
 Contact resistance: Under 50mΩ for +/- contacts per EIA-540J000  
 ROHS 2 COMPLIANT

Tolerance (Inches)	 <b>Memory Protection Devices, Inc</b> 200 Broad Hollow Road, Farmingdale, New York 11735		
Decimal ±.5 (.020)	Scale	Drawn By B.S.	
Fractional ±.8 (.030)	Title 6 "AA" BATTERY HOLDER WITH SNAP FASTENERS		
Angular ± 3°	Date 11/08/13	Drawing Number BH26AASF	
		Approved By T.B.	