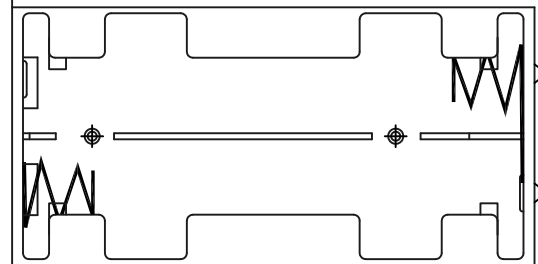
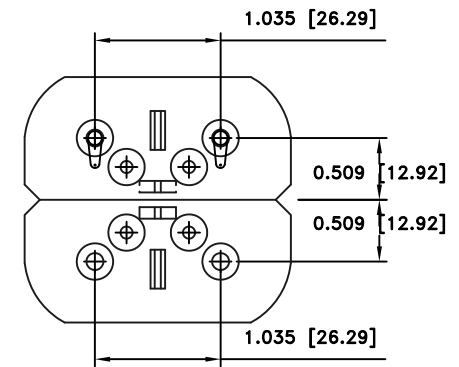
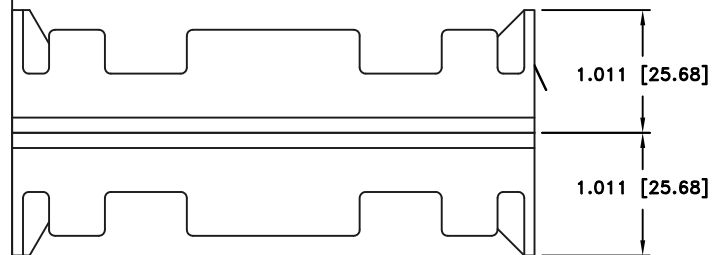
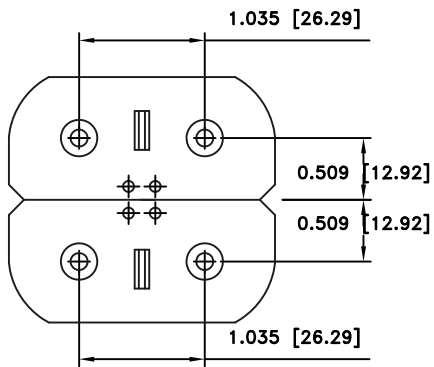
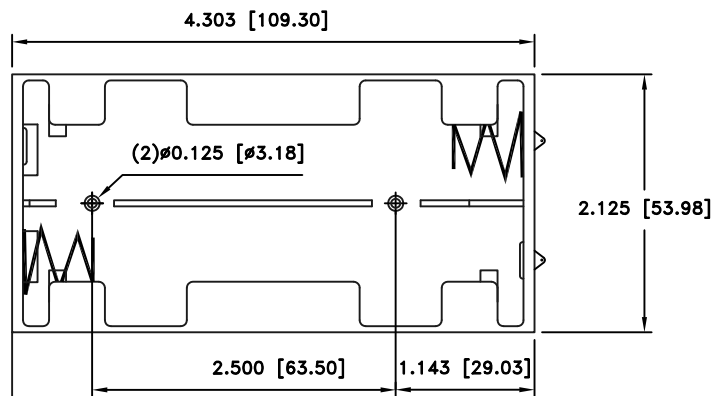


Date	SYM	REVISION RECORD	AUTH	DR.	CK.
03/08/13	A	Updated to ROHS 2 compliant	T.B.	B.S.	




Specifications:

1. material:

- Housing : black polypropylene
- Flammability rating -ul94-hb, ul file no. e216959
- Temperature range: -10°c to +100°c
- Rivets: brass, nickle pltd.
- Springs - Nickel Plated Spring Steel
- Contact Resistance: Under 50mΩ for +/- contacts per

EIA-540J000

ROHS 2 COMPLIANT

Tolerance (Except as noted)	 Memory Protection Devices, Inc 200 Broad Hollow Road, Farmingdale, New York 11735	Scale	Drawn By T.S.
		1=1	Approved By T.B.
decimal ±.5 (.020)	Title EIGHT "C" CELL HOLDER		
Fractional ± .8 (.030)	Date 03/08/13	Drawing Number BH28CL	
Angular ± 3°			