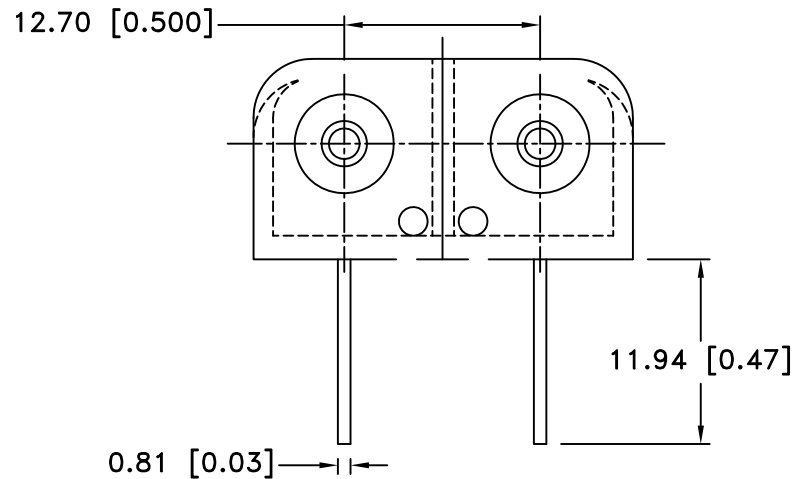
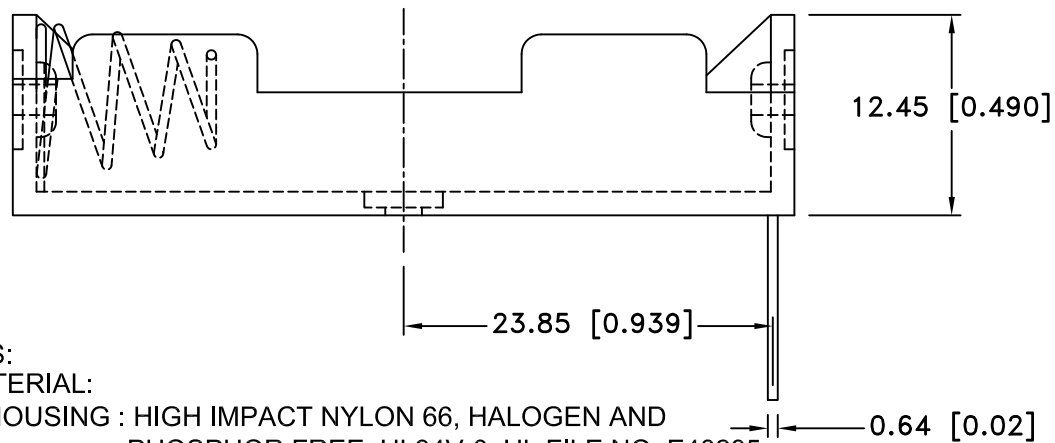
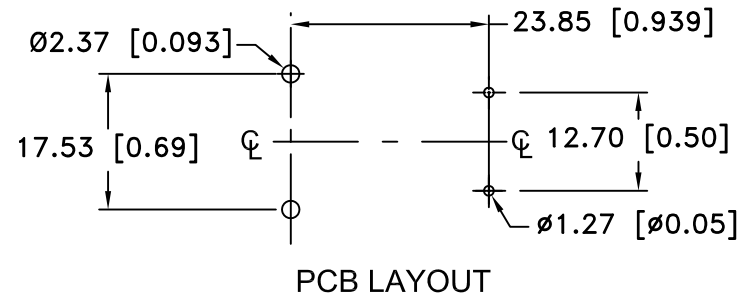
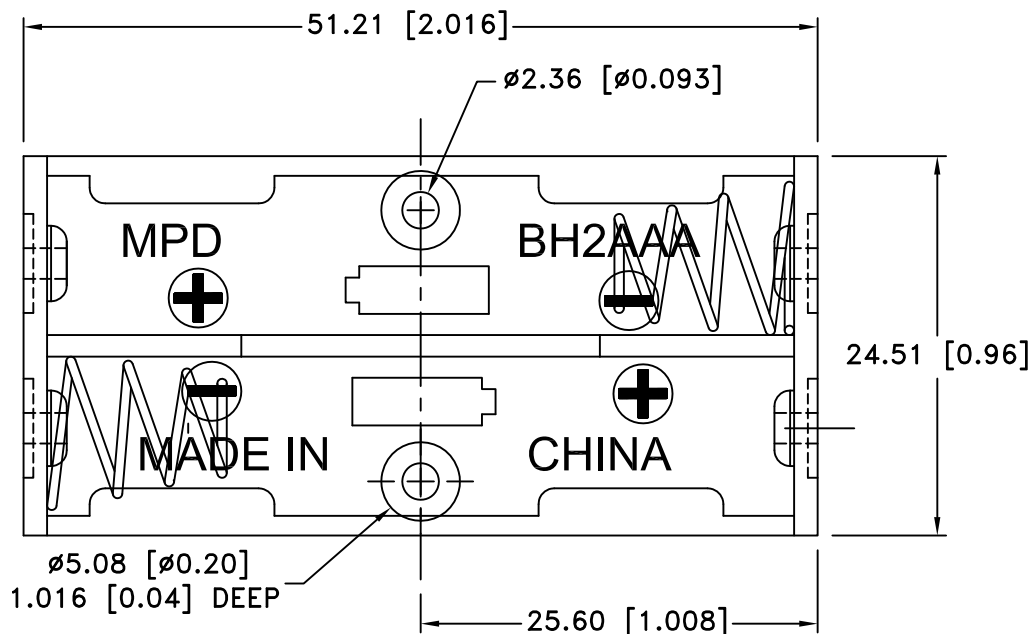


Date	SYM	REVISION RECORD	AUTH	DR.	CK.
12/26/03	A	CHANGED MATERIAL SPECIFICATION	T.B.	B.S.	
1/14/06	B	ADDED "ROHS COMPLIANT"	T.B.	B.S.	
5/20/06	C	UPATED PCB LAYOUT	T.B.	B.S.	
03/15/13	D	UPATED TO ROHS 2 COMPLIANT	T.B.	B.S.	



NOTES:

1. MATERIAL:

HOUSING : HIGH IMPACT NYLON 66, HALOGEN AND PHOSPHOR FREE, UL94V-0, UL FILE NO. E48285

RIVETS: BRASS, NICKLE PLATED.

SPRING: 302 STAINLESS STEEL, NICKLE PLATED.

PC PINS: 302 STAINLESS STEEL, NICKEL PLATED.


TEMPERATURE RANGE: -40°C TO +140°C

RESISTANT TO SOLVENTS, COMMON OILS AND REFRIGERANTS

ROHS 2 COMPLIANT

MOUNTING INSTRUCTION:

USE 2-56 MACHINE SCREWS OR EYELETS 0.089" OD BY 0.15" FLANGE STIMPSON GS-3 SERIES OR EQUIVALENT. ALSO ADHESIVES AND DOUBLE SIDED TAPES WORK WELL.

Tolerance (Except as noted)	 Memory Protection Devices, Inc 200 Broad Hollow Road, Farmingdale, New York 11735	Scale	Drawn By B.S.
			Approved By T.B.
decimal $\pm .5$ (.020)	Title TWO "AAA" CELL HOLDER		
Fractional $\pm .8$ (.030)		Date 03/15/13	Drawing Number BH2AAAPC
Angular $\pm 3^\circ$			