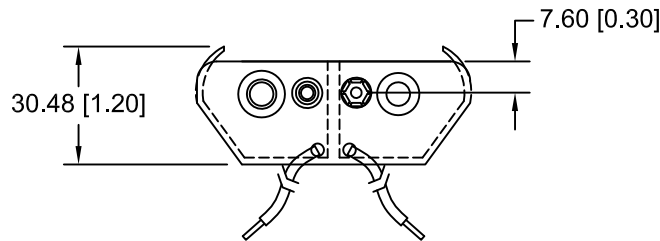
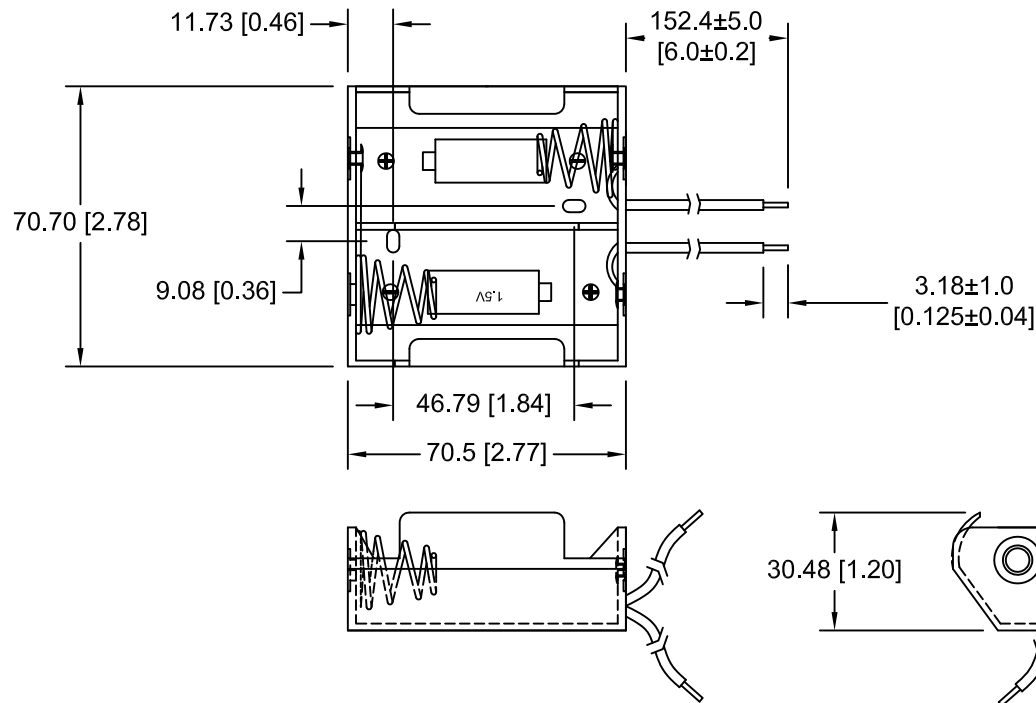



Date	SYM	REVISION RECORD	AUTH	DR.	CK.
11/15/13	A	REDRAWN IN AUTOCAD UPDATED TO ROHS 2 COMPLIANT	T.B.	B.S.	

NOTES:

1. MATERIAL:

HOUSING : BLACK POLYPROPYLENE
 FLAMMABILITY RATING -UL94-HB, UL FILE NO. E216959
 TEMPERATURE RANGE: -10°C to +100°C
 RIVETS: BRASS, NICKLE PLATED.
 SPRING: SPRING STEEL, NICKLE PLATED.
 WIRES: 26 AWG, UL1007,CSA, TR-64, 300V, 80°C
 CONTACT RESISTANCE: UNDER 50mΩ FOR +/- CONTACTS PER
 EIA-540J000
 ROHS 2 COMPLIANT.



Tolerance (Except as noted)	 Memory Protection Devices, Inc 200 Broad Hollow Road, Farmingdale, New York 11735	Scale	Drawn By B.S.
			Approved By T.B.
decimal ±.5 (.020)	Title TWO "D" CELL HOLDER WITH WIRE LEADS		
Fractional ± .8 (.030)		Date 11/15/13	Drawing Number BH2DW
Angular ± 3°			