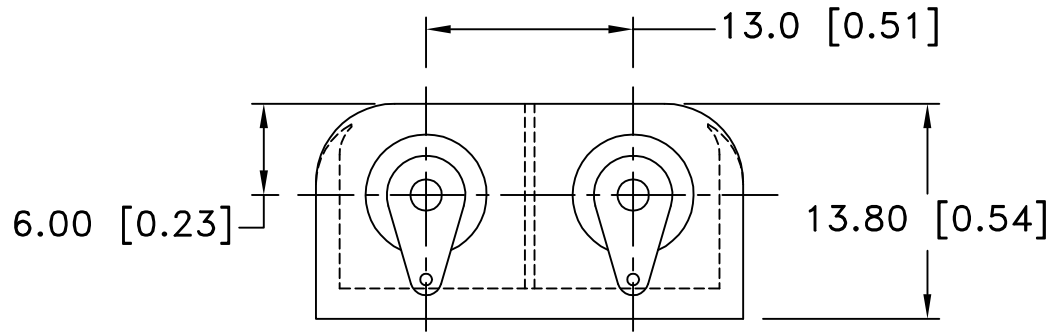
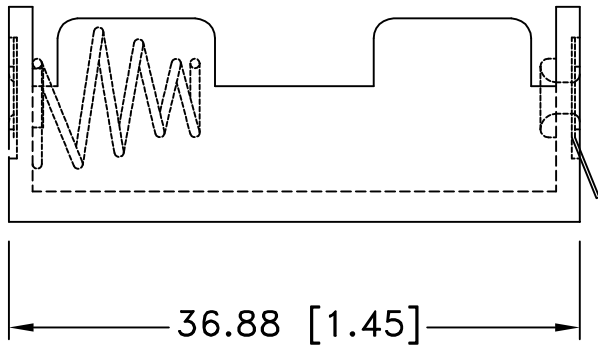
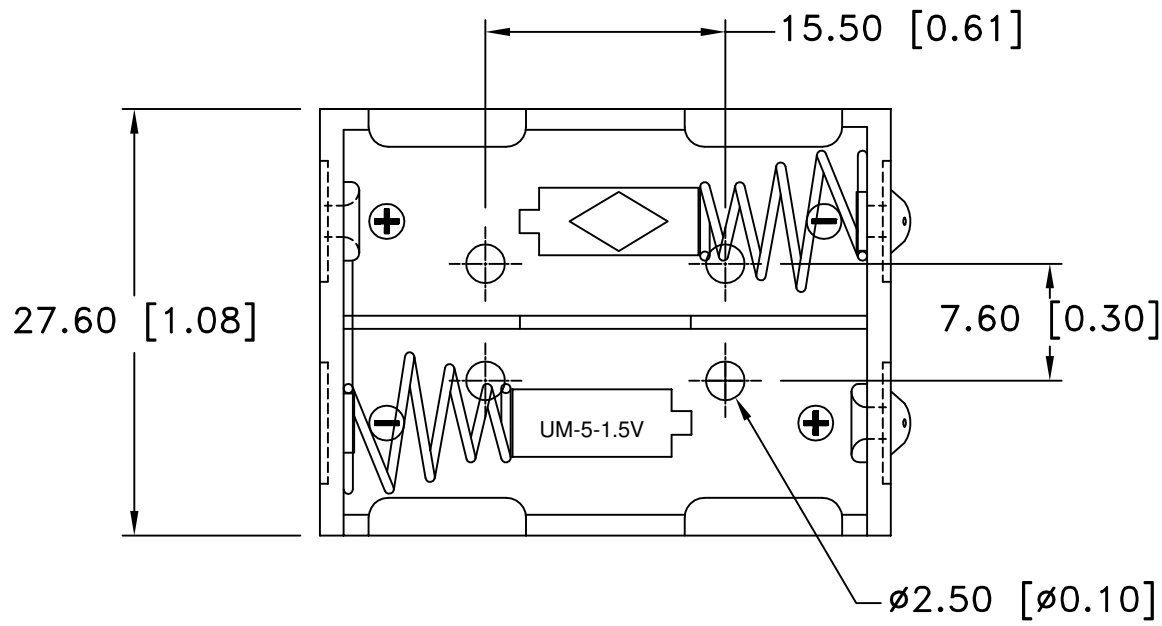


Date	SYM	REVISION RECORD	AUTH	DR.	CK.
10/22/05	A	ADDED "ROHS COMPLIANT"	T.B.	B.S.	
3/18/06	B	UPDATED MATERIAL SPEC.	T.B.	B.S.	
5/06/06	C	ADDED CONTACT RESI. INFO.	T.B.	B.S.	




NOTES:

1. MATERIAL:

HOUSING : BLACK POLYPROPYLENE
 FLAMMABILITY RATING -UL94-HB, UL FILE NO. E216959
 TEMPERATURE RANGE: -10°C to +100°C
 RIVETS: BRASS, NICKLE PLTD.
 SPRING: SPRING STEEL, NICKLE PLTD.
 CONTACT RESISTANCE: UNDER 50mΩ FOR +/- CONTACTS PER
 EIA-540J000

ROHS COMPLIANT

Tolerance (Except as noted)	 Memory Protection Devices, Inc 200 Broad Hollow Road, Farmingdale, New York 11735	Scale	Drawn By B.S.
			Approved By T.B.
decimal ±.5 (.020)	Title TWO "N" CELL HOLDER	Date 5/06/06	
Fractional ± .8 (.030)		Drawing Number BH2NL	
Angular ± 3°			