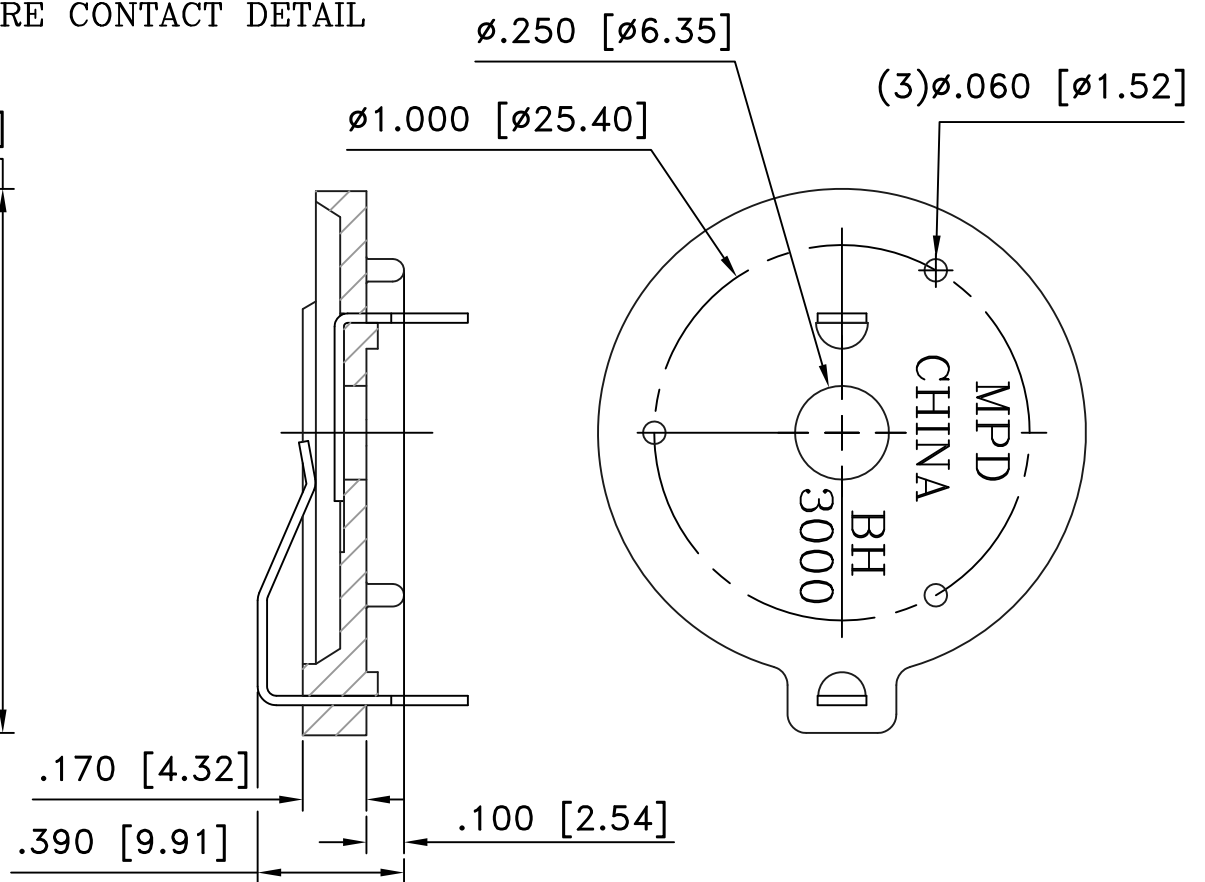
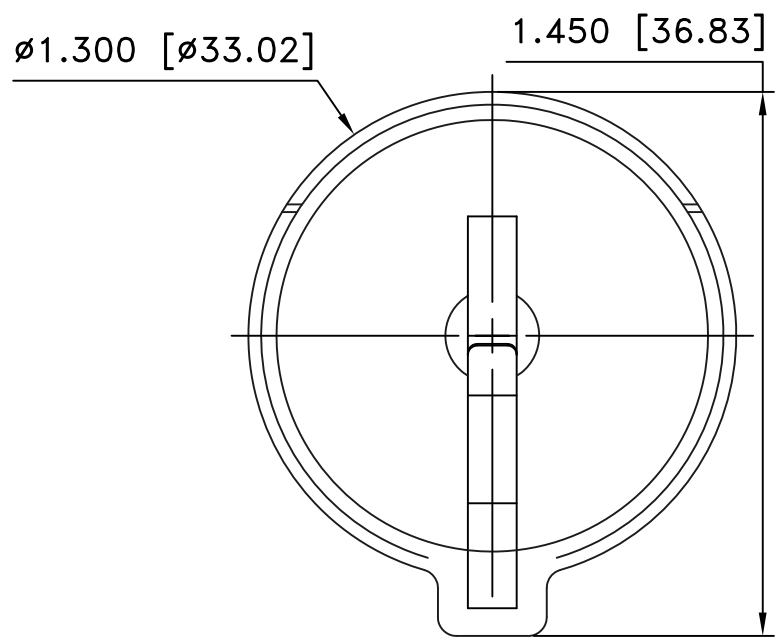
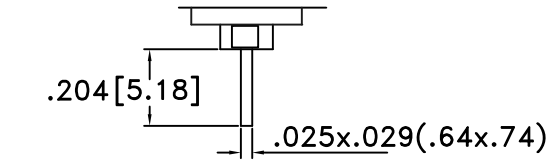
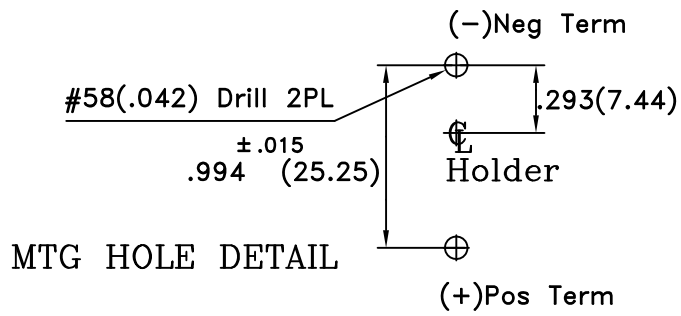



Date	SYM	REVISION RECORD	AUTH	DR.	CK.
05/21/05	B	ADDED "LEAD FREE" IN SPECIFICATIONS	T.B.	B.S.	
10/22/05	C	ADDED "ROHS COMPLIANT"	T.B.	B.S.	
10/28/11	D	REMOVED TOL. FROM DIM. 0.204	T.B.	B.S.	



SPECIFICATIONS

- *Holder material—thermoplastic, black PBT
 - *Flammability rating—UL94V-0, File No.88499(M)
 - *Contacts—302 spring temper stainless steel nickel plated overall, Lead Free
 - *Dielectric strength—560volts/mil at 25°C for 5seconds
 - *Temperature range— -55° to +180°C
 - *Resistance to solvents—Xylene,ethyl,butyl,methyl&proptl alcohol;ethyl acetate,heptane;toluene;refrigerant
- ROHS COMPLIANT

Tolerance (Except as noted)	 Memory protection Devices, Inc 200 Broad Hollow Road, Farmingdale, New York 11735	Scale 2=1	Drawn By T.S.
			Approved By T.B.
decimal ±.5 (.020)	Title CR3032 BATTERY HOLDER, 30MMx3.2MM THICK	Date 10/28/11	
Fractional ± .8 (.030)		Drawing Number BH3000	
Angular ± 3°			