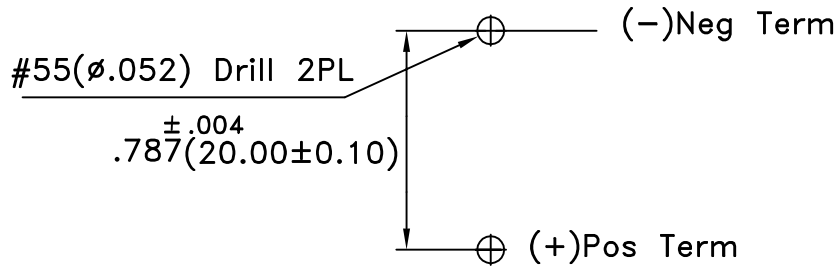
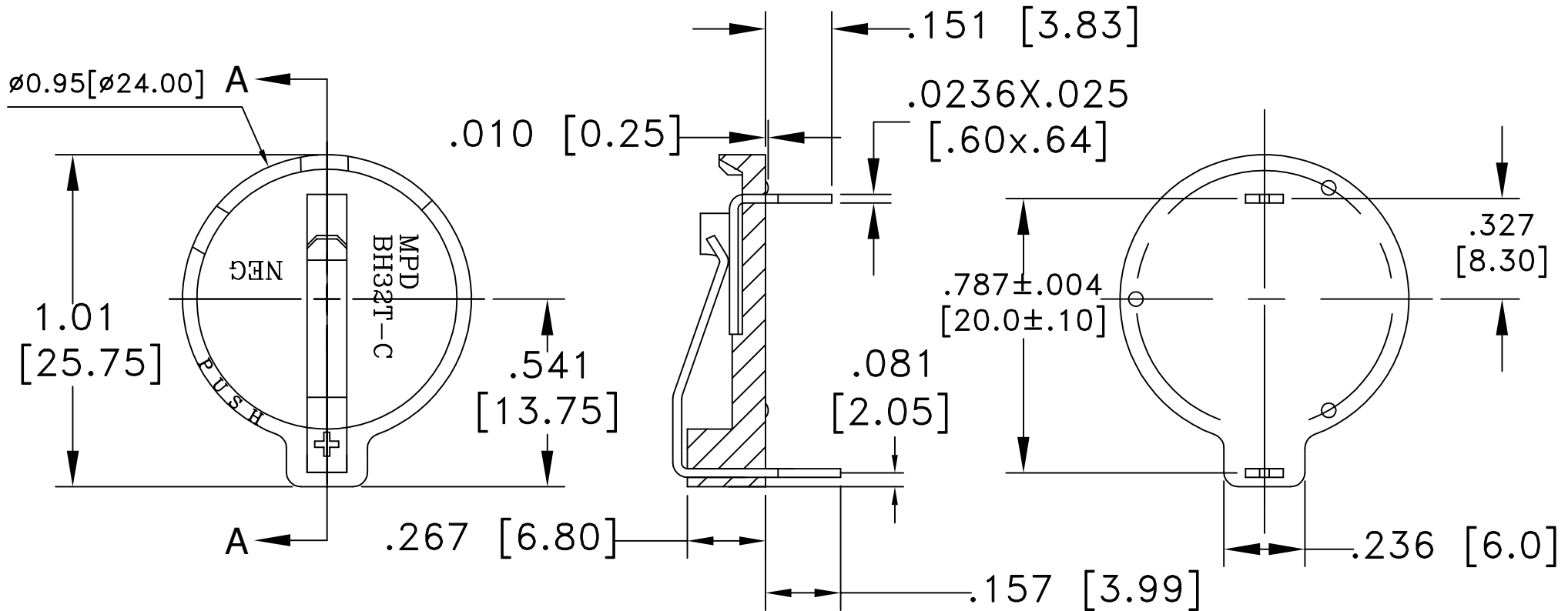


PCB LAYOUT




| Date | SYM | REVISION RECORD | AUTH | DR. | CK. |
|----------|-----|--|------|------|-----|
| 10/22/05 | B | ADDED "ROHS COMPLIANT" | T.B. | B.S. | |
| 11/05/05 | C | REDRAWN ALL VIEWS | T.B. | B.S. | |
| 3/04/06 | D | DIM. 1.01 WAS .01 | T.B. | B.S. | |
| 1/13/07 | E | ADDED DIM. 0.787, 0.327, 0.236 & 0.541 | T.B. | B.S. | |



SPECIFICATIONS

- *Holder material- Black PBT
- *Flammability rating-UL94V-0, UL file no. E53829
- *Contacts :
Positive: 0.0236" Thick PHOS-BRONZE, Nickel Plated
Negative: spring tempered Stainless Steel, Nickel Plated
- *Temperature Range: -40°C to +140°C
- ROHS COMPLIANT

| | | | |
|--------------------------------|--|--------------------------|--|
| Tolerance (Except as noted) |  Memory protection Devices, Inc 200 Broad Hollow Road, Farmingdale, New York 11735 | | |
| decimal ±.5 (.020) | Scale | Drawn By B.S. | |
| Fractional ± .8 (.030) | Title | CR2032 OR BR2032 BATTERY | |
| Angular ± 3° | Date | Drawing Number | |
| | 1/13/07 | BH32T-C | |
| | | Approved By T.B. | |