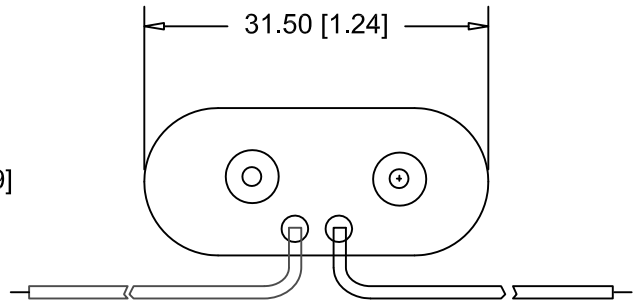
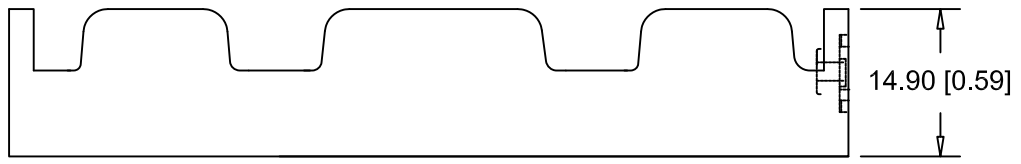
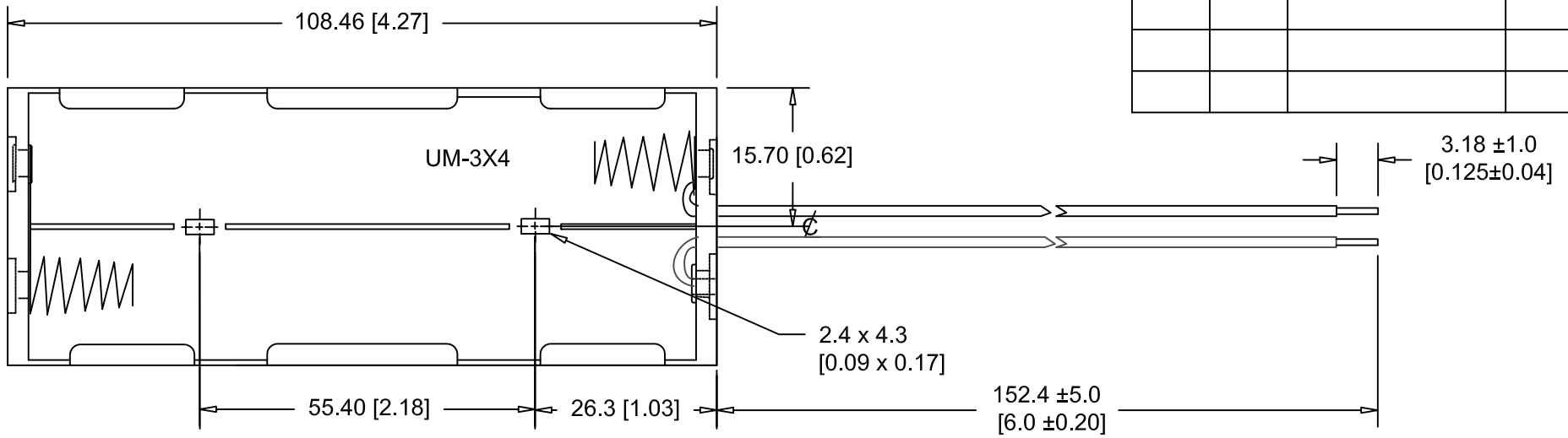



| Date     | SYM | REVISION RECORD             | AUTH | DR.  | CK. |
|----------|-----|-----------------------------|------|------|-----|
| 07/12/13 | B   | UPDATED TO ROHS 2 COMPLIANT | T.B. | B.S. |     |
|          |     |                             |      |      |     |
|          |     |                             |      |      |     |
|          |     |                             |      |      |     |



**SPECIFICATIONS :**

Plastic material - polypropylene  
 Flammability Rating-UL94 HB, UL File No. E216959  
 Temperature RangeE: -10°C to +100°C  
 Springs - nickel plated spring steel  
 Wire - 152.4 mm Long 26 AWG, UL1007, CSA - TR-64, 300V, 80° C.  
 Rivets - Brass, nickel plated  
 Contact Resistance: Under 50mΩ for +/- contacts per EIA-540J000  
 ROHS 2 COMPLIANT

|                                |   |                           |               |
|--------------------------------|---|---------------------------|---------------|
| Tolerance<br>(Except as noted) |  <b>Memory Protection Devices, Inc</b><br>200 Broad Hollow Road, Farmingdale, New York 11735 |                           |               |
| decimal<br>±.5 (.020)          |   | Scale                     | Drawn By B.S. |
| Fractional<br>± .8 (.030)      | Title<br>FOUR "AA" CELL HOLDER WITH WIRE LEADS  |                           |               |
| Angular<br>± 3°                | Date<br>07/12/13  | Drawing Number<br>BH34AAW |               |
|                                |   | Approved By T.B.          |               |