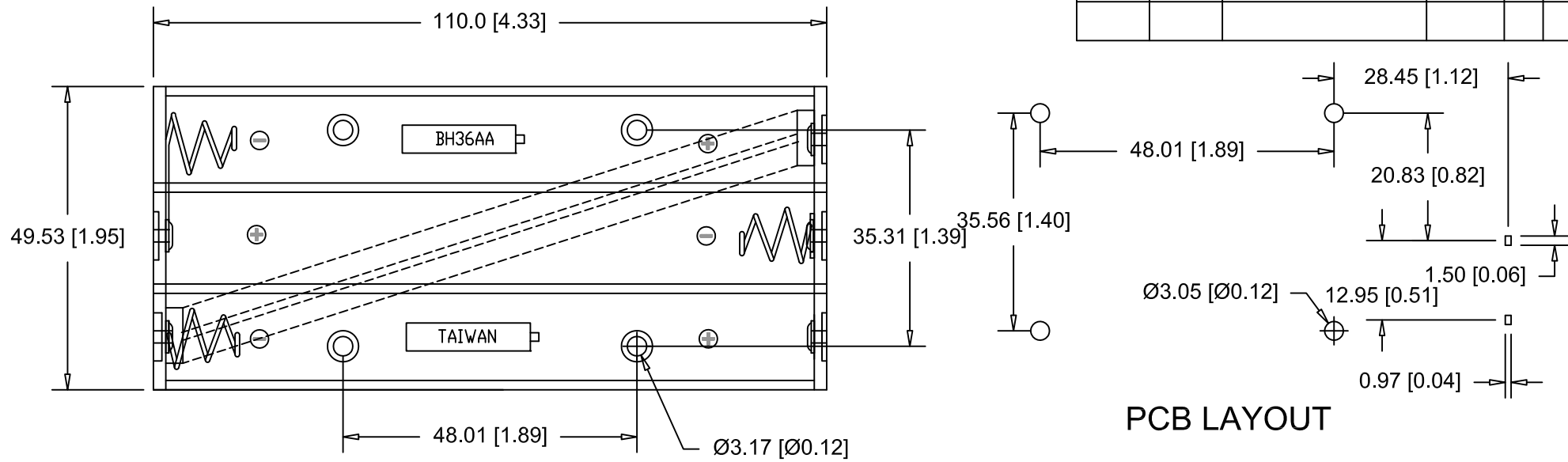
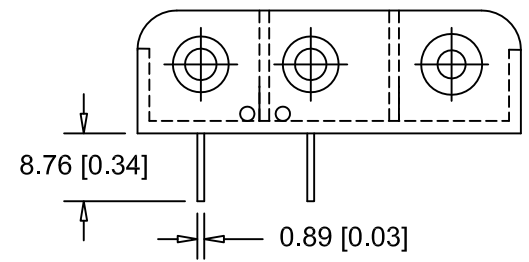
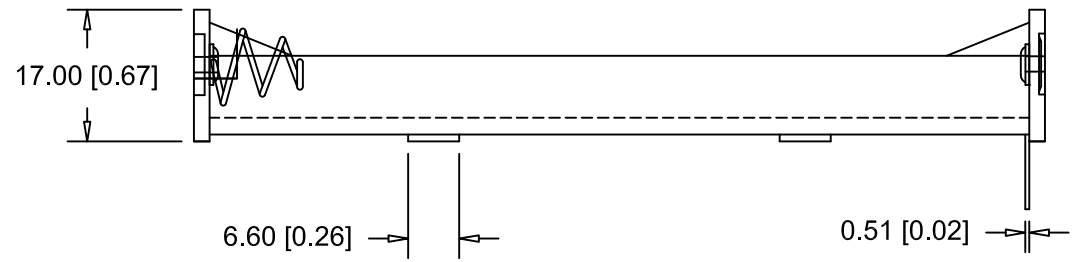


Date	SYM	REVISION RECORD	AUTH	DR.	CK.
08/23/13	A	UPDATED TO ROHS 2 COMPLIANT	T.B.	B.S.	




PCB LAYOUT



SPECIFICATIONS :

Plastic material - High impact ABS
 Springs - nickel plated Spring Steel
 PC Pins - spring Steel, nickel plated
 Contact Resistance: Under 50mΩ for +/- contacts per EIA-540J000
 ROHS 2 COMPLIANT

Tolerance (Except as noted)	 Memory Protection Devices, Inc 200 Broad Hollow Road, Farmingdale, New York 11735		
decimal ±.5 (.020)		Scale	Drawn By B.S.
Fractional ± .8 (.030)	Title SIX "AA" CELL HOLDER WITH PC PINS		
Angular ± 3°	Date 08/23/13	Drawing Number BH36AAPC	
		Approved By T.B.	