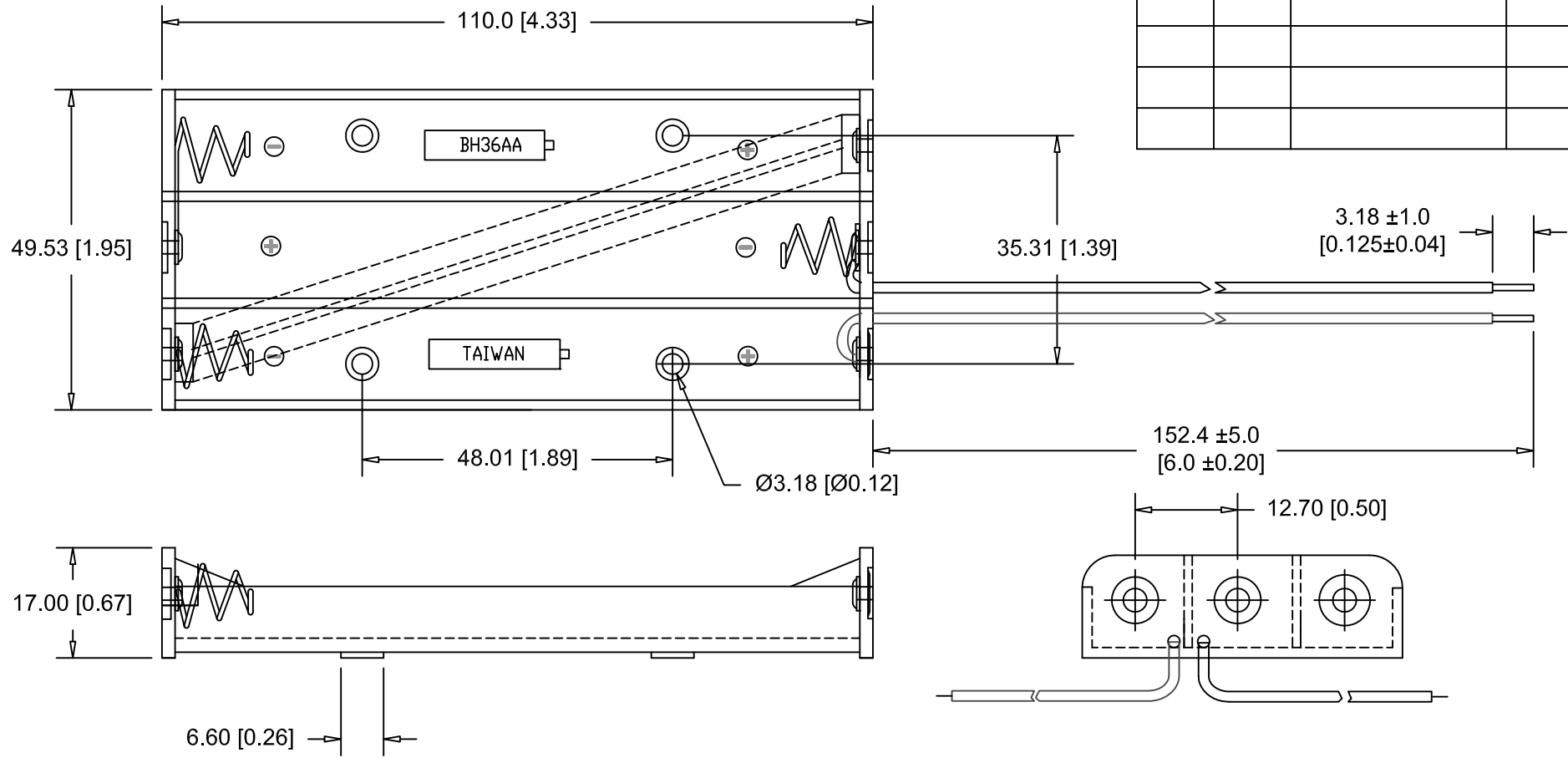



Date	SYM	REVISION RECORD	AUTH	DR.	CK.
07/19/13	A	UPDATED TO ROHS 2 COMPLIANT	T.B.	B.S.	



**SPECIFICATIONS :**

Plastic material - High impact ABS  
 Springs - nickel plated spring steel  
 Rivets - Brass, nickel plated  
 Wire: 26AWG, UL1007, CSA, TR-64, 300V, 80°C  
 Contact Resistance: Under 50mΩ for +/- contacts per EIA-540J000  
 ROHS 2 COMPLIANT

Tolerance (Except as noted)	 <b>Memory Protection Devices, Inc</b> 200 Broad Hollow Road, Farmingdale, New York 11735		
decimal ±.5 (.020)		Scale	Drawn By B.S.
Fractional ± .8 (.030)	Title SIX "AA" CELL HOLDER WITH WIRE LEADS		
Angular ± 3°	Date 07/19/13	Drawing Number BH36AAW	
		Approved By T.B.	