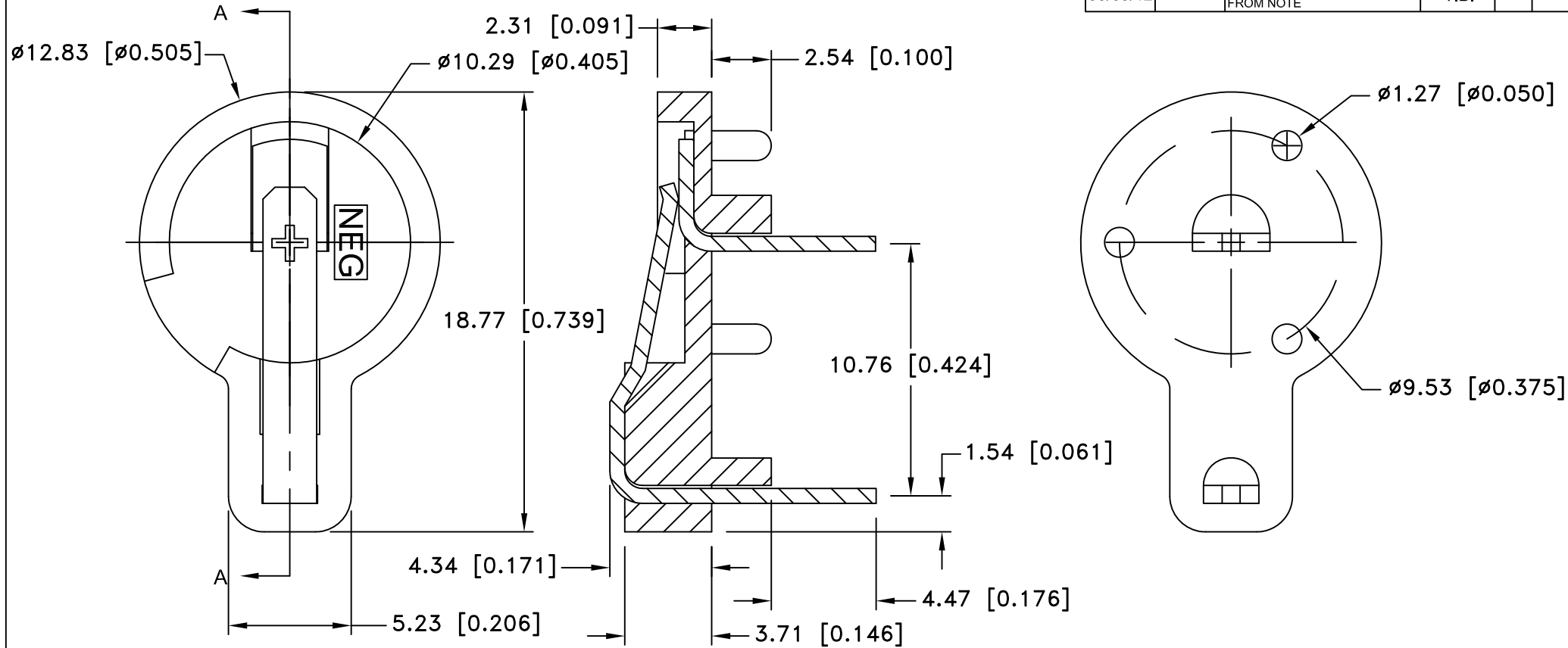


**PCB LAYOUT**


Date	SYM	REVISION RECORD	AUTH	DR.	CK.
05/03/03	A	ALL DIM. CHANGED TO 3 DECIMAL POINT CONTACTS MTL. CHANGED TO PHOSPHOR BRONZE	T.B.	B.S.	
1/07/06	B	ADDED "ROHS COMPLIANT"	T.B.	B.S.	
2/25/06	C	LEAD FREE WAS Sn-Pb PLTD.	T.B.	B.S.	
03/09/12	D	REMOVED SOLDER TAILS FROM NOTE	T.B.	B.S.	



**NOTES:**

**MATERIAL:**

- HOLDER: PBT POLYESTER, BLACK, UL94V-0
- POS. CONT.: PHOSPHOR BRONZE, SPRING TEMPER, NICKEL PLATED.
- NEG. CONT.: PHOSPHOR BRONZE, SPRING TEMPER, NICKEL PLATED
- ROHS COMPLIANT

Tolerance (Except as noted)	 <b>Memory Protection Devices, Inc</b> 200 Broad Hollow Road, Farmingdale, New York 11735	Scale	Drawn By B.S.
			Approved By T.B.
decimal $\pm .5$ (.020)	Title <b>COIN CELL HOLDER</b>		
Fractional $\pm .8$ (.030)		Date 03/09/12	Drawing Number BH401
Angular $\pm 3^\circ$			