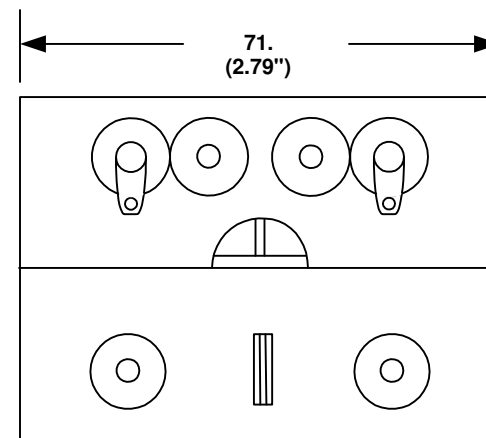


SOLDER LUGS SHOWN ABOVE

DATE	SYM	REVISION RECORD	AUTH	DR.	CK.
7/08/06	A	ADDED "ROHS COMPLIANT"	T.B.	B.S.	

ORDERING CODE BH428D


SOLDER LUGS = L
(6") WIRE LEADS = W
9VOLT TYPE SNAPS = SF
BUMP PLATES = B



SPECIFICATIONS:

Plastic material - polypropylene
 Flammability rating-UL94 HB, UL file no. E216959
 Temperature Range: -10°C to +100°C
 Springs - nickel plated spring steel
 Wire - 152.4 mm Ref.Long 26 AWG, UL1007, CSA - TR-64, 300V, 80° C.
 Rivets - Brass, nickel plated
 9 Volts Snaps - Brass, nickel plated
 Contact Resistance: Under 50mΩ for +/- contacts per EIA-540J000
 ROHS COMPLIANT

Note: Dimensions in mm. (inches)

TOLERANCES (EXCEPT AS NOTED)		 Memory Protection Devices, Inc. 200 Broad Hollow Road, Farmingdale, New York 11735	
DECIMAL		SCALE	DRAWN BY S.C.
+ .5 (.020")		-----	APPROVED BY
FRACTIONAL	TITLE	EIGHT "D" CELL HOLDER	
+ .8 (.030")			
ANGULAR	DATE	DRAWING NUMBER	
+ 3°	7/08/2006	BH428DL	