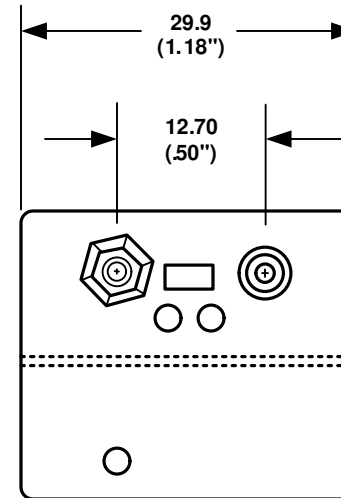
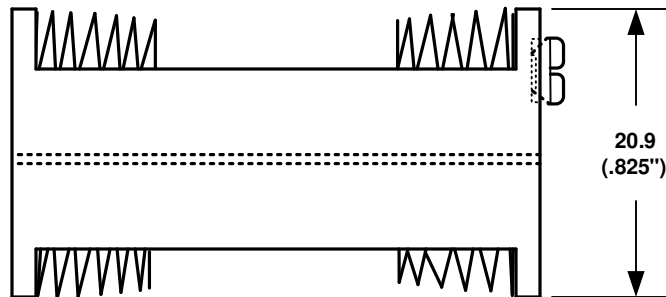
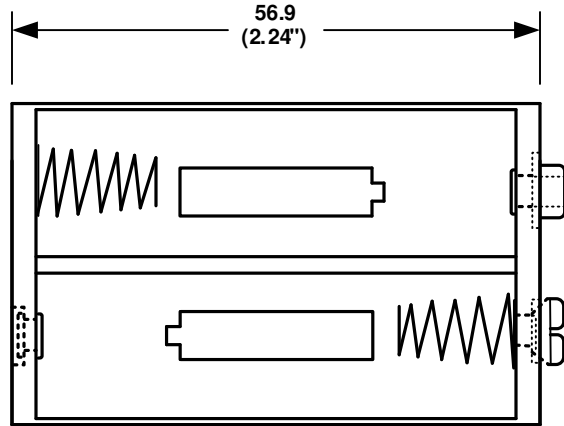


DATE	SYM	REVISION RECORD	AUTH	DR.	CK.
10/02/04	A	DIM. 14.80 WAS 12.70	T.B.	B.S.	
11/12/05	B	ADDED "ROHS COMPLIANT"	T.B.	B.S.	
3/18/06	C	UPDATED MATERIAL SPEC.	T.B.	B.S.	
4/29/06	D	ADDED CONTACT RESI. INFO.	T.B.	B.S.	
8/18/07	E	DIM. 12.70 WAS 14.80	T.B.	B.S.	




SPECIFICATIONS : **ORDERING CODE** **BH44AA**

Plastic material - Polypropylene, Black
 Flammability rating-UL94 HB, UL file no. E216959
 Temperature Range: -10°C to +100 °C
 Springs - nickel plated spring steel
 Rivets - Brass, nickel plated
 9 Volts Snaps - Brass, nickel plated
 Contact resistance: Under 50m Ω for +/- contacts per EIA-540J000
 ROHS COMPLIANT

SOLDER LUGS = L
(6") WIRE LEADS = W
9 VOLT TYPE SNAPS =SF

Note: Dimensions in mm. (inches)

TOLERANCES (EXCEPT AS NOTED)		 Memory Protection Devices, Inc. 200 Broad Hollow Road, Farmingdale, New York 11735	
DECIMAL			
+ .5 (.020")		NONE	B.S.
FRACTIONAL	TITLE	APPROVED BY	
+ .8 (.030")	FOUR "AA" CELL HOLDER		
ANGULAR	DATE	DRAWING NUMBER	
+ 3°	8/18/2007	BH44AASF	