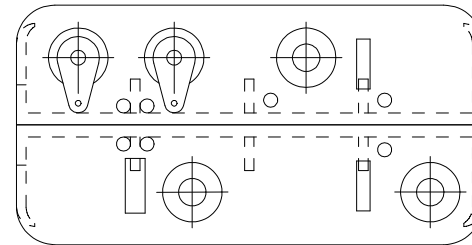
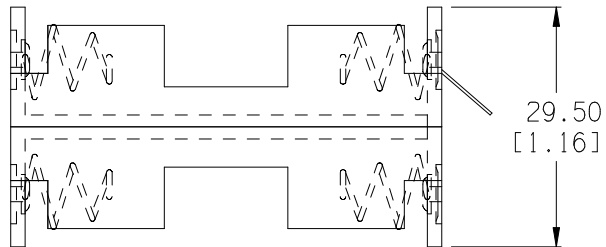
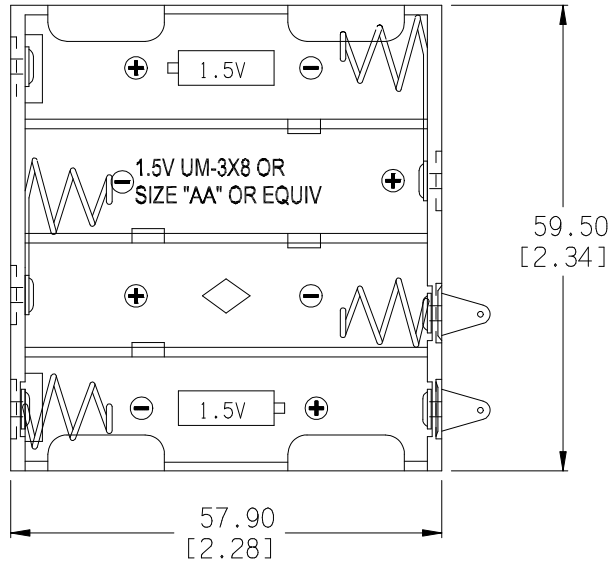



Date	SYM	REVISION RECORD	AUTH	DR.	CK.
2/24/07	A	(1) Redrawn (2) Added "ROHS COMPLIANT"	T.B.	B.S.	



NOTES:  
MATERIAL:  
HOUSING: POLYPROPYLENE  
FLAMMABILITY RATING -UL94 HB, UL FILE NO. E216959  
TEMPERATURE RANGE: -10°C to +100°C  
SPRINGS: SPRING STEEL, NICKEL PLATED  
RIVETS: BRASS, NICKEL PLATED  
CONTACT RESISTANCE: UNDER 50m Ohms FOR +/- CONTACTS  
PER EIA-540J000

ROHS COMPLIANT

Tolerance (Inches)	 <b>Memory Protection Devices, Inc.</b> 200 Broad Hollow Road, Farmingdale, New York 11735		
Decimal		Scale	Drawn By B.S.
$\pm .5$ (.020)			Approved By T.B.
Fractional	Title		
$\pm .8$ (.030)	EIGHT "AA" BATTERY HOLDER		
Angular	Date	Drawing Number	
$\pm 3^\circ$	2/24/07	BH48AAL	