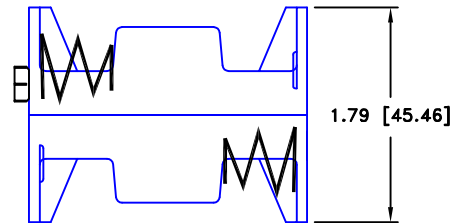
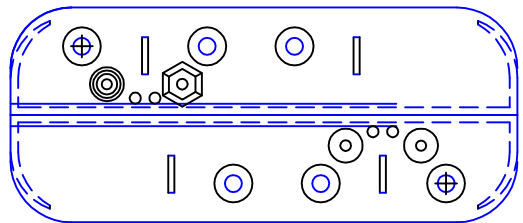
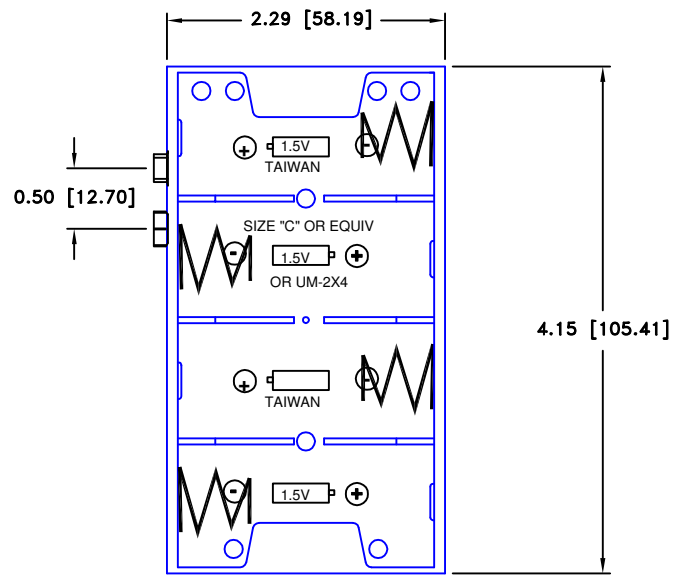



Date	SYM	REVISION RECORD	AUTH	DR.	CK.



**NOTES:**

**1. MATERIAL:**

HOUSING : BLACK POLYPROPYLENE  
 FLAMMABILITY RATING -UL94-HB,  
 UL FILE NO. E216959  
 TEMPERATURE RANGE: -10°C to +100°C  
 RIVETS: BRASS, NICKLE PLTD.  
 SPRING: SPRING STEEL, NICKLE PLTD.  
 9 VOLT SNAPS: BRASS, NICKLE PLTD.  
 CONTACT RESISTANCE: UNDER 50mΩ FOR  
 +/- CONTACTS PER EIA-540J000  
 ROHS COMPLIANT

Tolerance (Except as noted)	 Memory Protection Devices, Inc 200 Broad Hollow Road, Farmingdale, New York 11735	Scale	Drawn By B.S.
decimal ±.020 (.5)		XX	Approved By T.B.
Fractional ± .030 (.8)	Title EIGHT "C" CELL HOLDER		
Angular ± 3°	Date 8/18/06	Drawing Number BH48CSF	