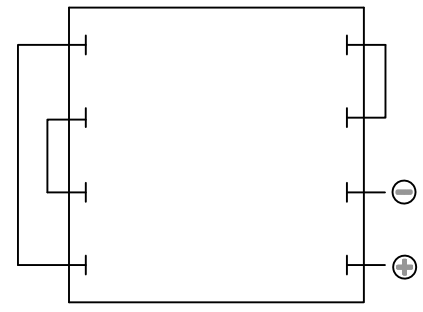
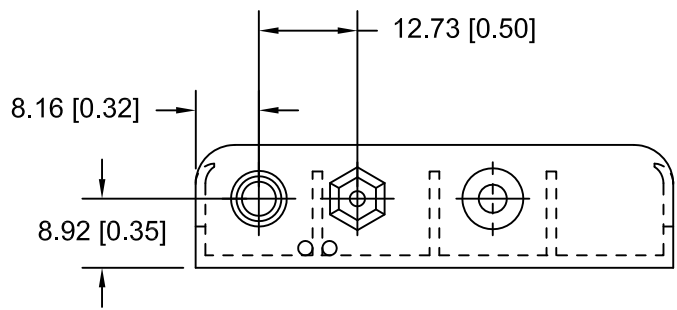



Date	SYM	REVISION RECORD	AUTH	DR.	CK.
12/26/03	A	CHANGED MATERIAL SPECIFICATION	T.B.	B.S.	
4/05/13	B	UPDATED TO ROHS 2 COMPLIANT	T.B.	B.S.	



**1. MATERIAL:**  
 HOUSING : HIGH IMPACT NYLON 66, HALOGEN AND PHOSPHOR FREE, UL94V-0, UL FILE NO. E48285  
 RIVETS: BRASS, NICKLE PLATED.  
 SPRING: 302 STAINLESS STEEL, NICKLE PLATED.  
 TEMPERATURE RANGE: -40°C TO +140°C  
 9 VALTS SNAPS: BRASS NICKEL PLATED  
 ESISTANT TO SOLVENTS, COMMON OILS AND REFRIGERANTS  
 ROHS 2 COMPLIANT

**MOUNTING INSTRUCTION:**  
 USE 2-56 MACHINE SCREWS OR EYELETS 0.089" OD BY 0.15" FLANGE STIMPSON GS-3 SERIES OR EQUIVALENT. ALSO ADHESIVES AND DOUBLE SIDED TAPES WORK WELL.

INTER CONNECTION SCHEMATIC

Tolerance (Inches)	 <b>Memory Protection Devices, Inc</b> 200 Broad Hollow Road, Farmingdale, New York 11735		
	Decimal	Scale	Drawn By B.S. Approved By T.B.
±.5 (.020)			
Fractional	Title		
±.8 (.030)	4AA BATTERY HOLDER WITH SNAP FASTENERS		
Angular	Date	Drawing Number	
± 3°	4/05/13	BH4AA-SF	