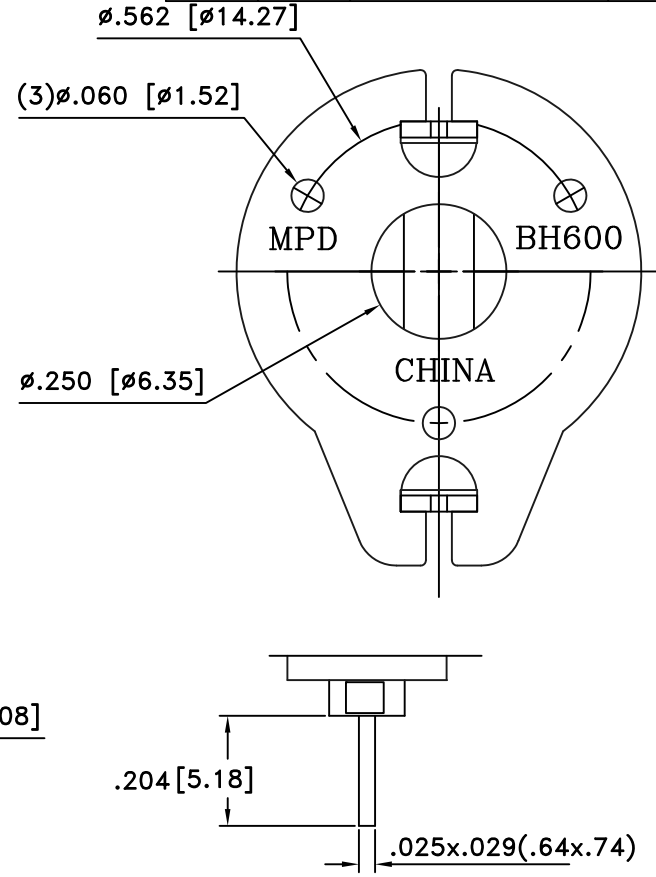
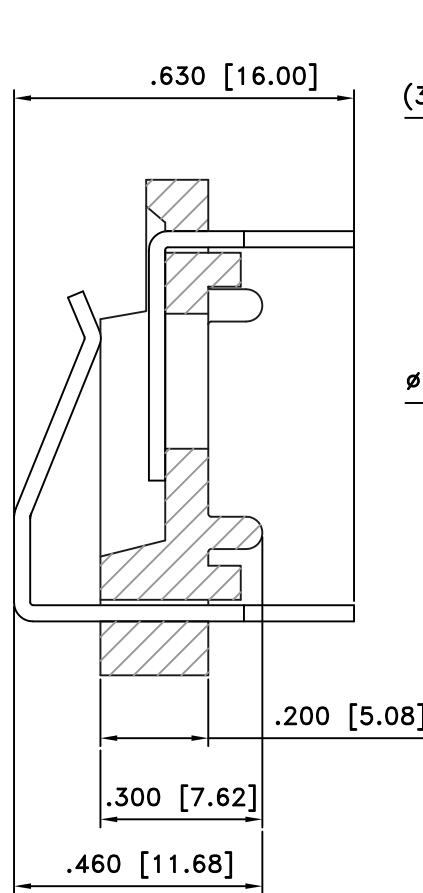
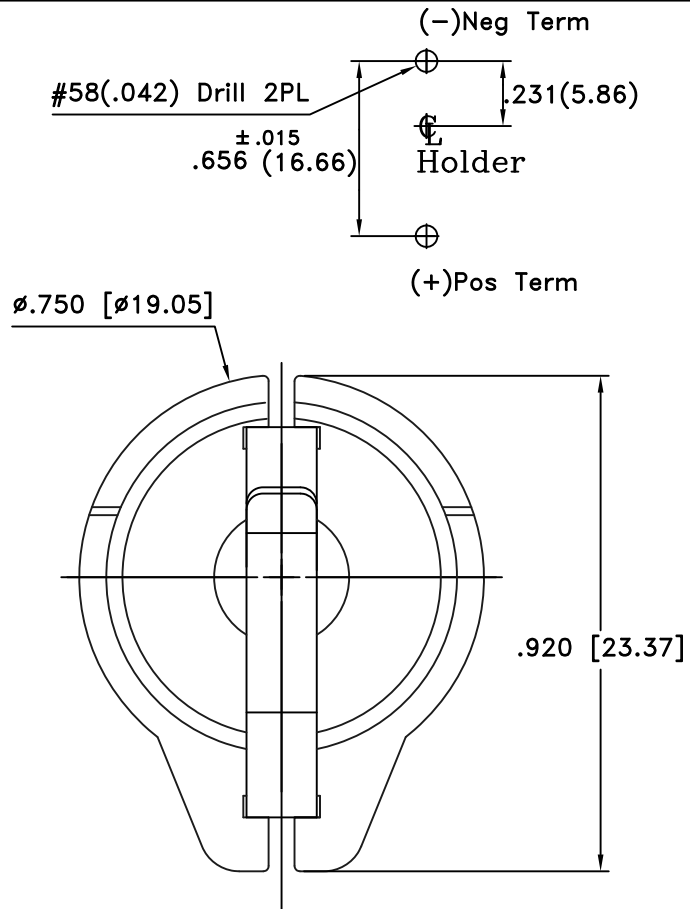



Date	SYM	REVISION RECORD	AUTH	DR.	CK.
07/25/03	B	TITLE CHANGED	T.B.	B.S.	
11/19/05	C	ADDED "ROHS COMPLIANT"	T.B.	B.S.	
10/28/11	D	REMOVED TOL. FROM DIM. 0.204	T.B.	B.S.	



Square Contact Detail

**SPECIFICATIONS**

- \*Holder material—thermoplastic, black PBT
- \*Flammability rating—UL94V-0, File No.88499(M)
- \*Contacts—302 spring temper stainless steel nickel plated overall
- \*Dielectric strength—560volts/mil at 25°C for 5seconds
- \*Temperature range— -55° to +180°C
- \*RESistance to solvents—Xylene,ethyl,butyl,methyl&proptl alcohol;ethyl acetate,heptane;toluene;refrigerant
- \*ROHS COMPLIANT

Tolerance (Except as noted)	 <b>Memory protection Devices, Inc</b> 200 Broad Hollow Road, Farmingdale, New York 11735		
decimal ±.5 (.020)		Scale 4=1	Drawn By T.S. Approved By T.B.
Fractional ± .8 (.030)	Title COIN CELL HOLDER, ø16mm by 5.8mm TALL OR VARTA V80H BATTERIES		
Angular ± 3°	Date 10/28/11	Drawing Number BH600-5.8	