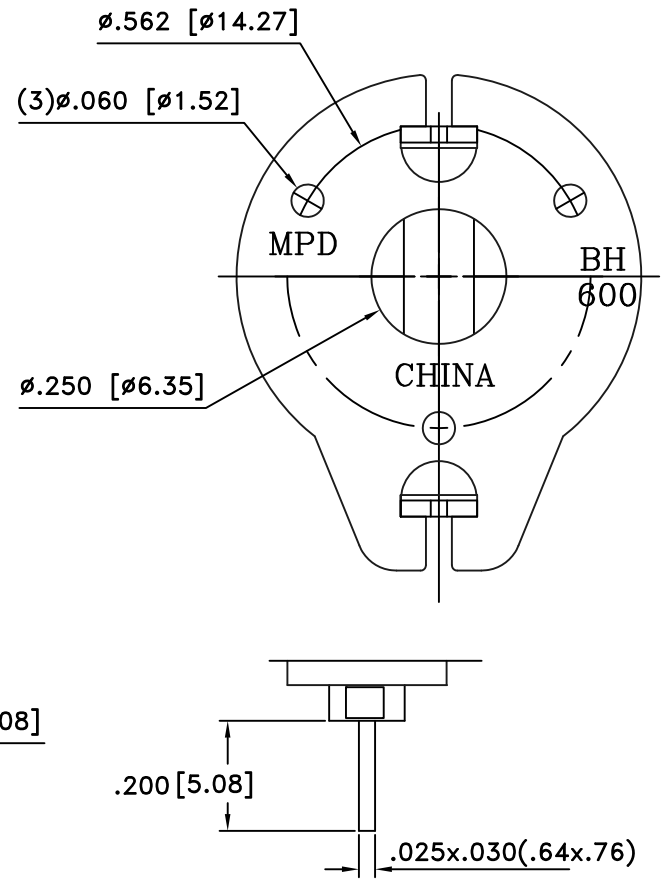
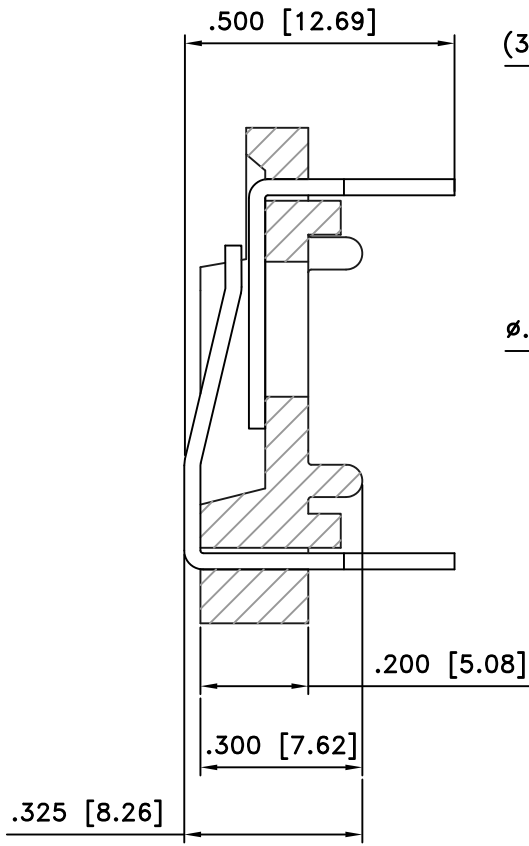
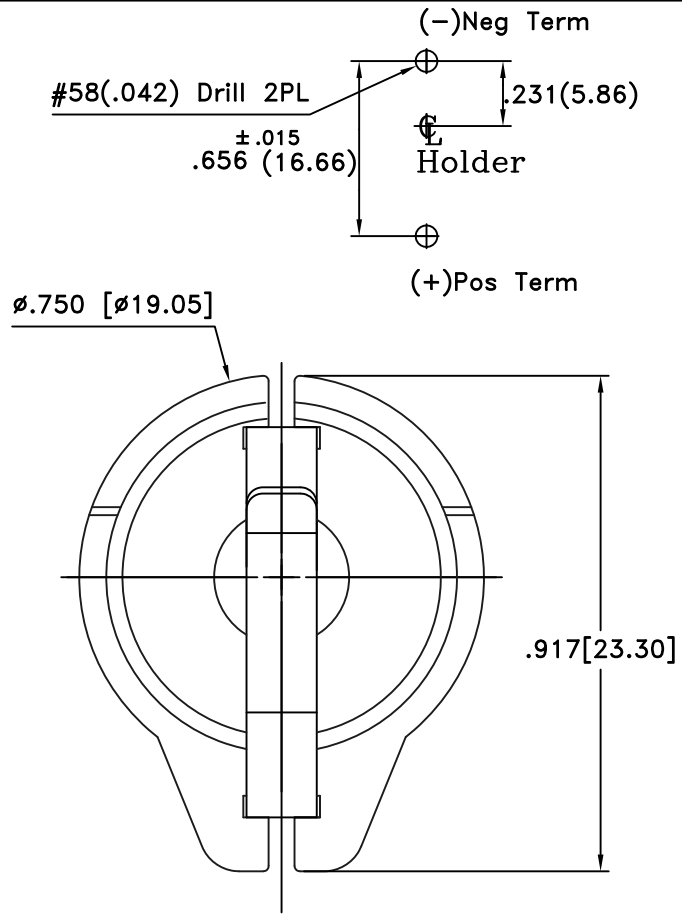



Date	SYM	REVISION RECORD	AUTH	DR.	CK.
10/28/11	A	REMOVED TOL. FROM DIM. 0.200	T.B.	B.S.	
11/04/11	B	CONTACT MATERIAL WAS PHOSPHOR BRONZE	T.B.	B.S.	



Square Contact Detail

SPECIFICATIONS

- *Holder material—thermoplastic, black PBT
 - *Flammability rating—UL94V-0, File No.88499(M)
 - *Contacts—Stainless Steel spring temper
Gold Flash Finish
 - *Dielectric strength—560volts/mil at 25°C for 5seconds
 - *Temperature range— -55° to +180°C
 - *RESistance to solvents—Xylene,ethyl,butyl,methyl&proptl
alcohol;ethyl acetate,heptane;toluene;refrigerant
- ROHS COMPLIANT

Tolerance (Except as noted)		Memory protection Devices, Inc	
		200 Broad Hollow Road, Farmingdale, New York 11735	
decimal ±.5 (.020)	Scale 4=1	Drawn By	B.S.
		Approved By	T.B.
Fractional ± .8 (.030)	Title BR/CR/DL 1620/1632 COIN BATTERY HOLDER		
Angular ± 3°	Date 11/04/11	Drawing Number BH600-G	