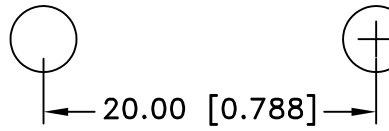


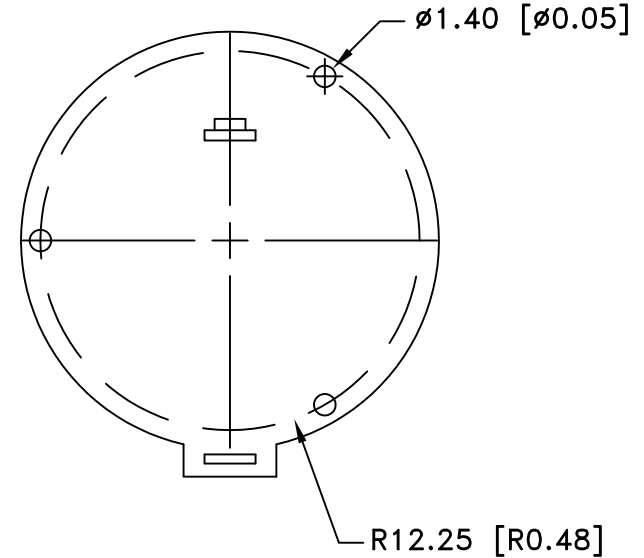
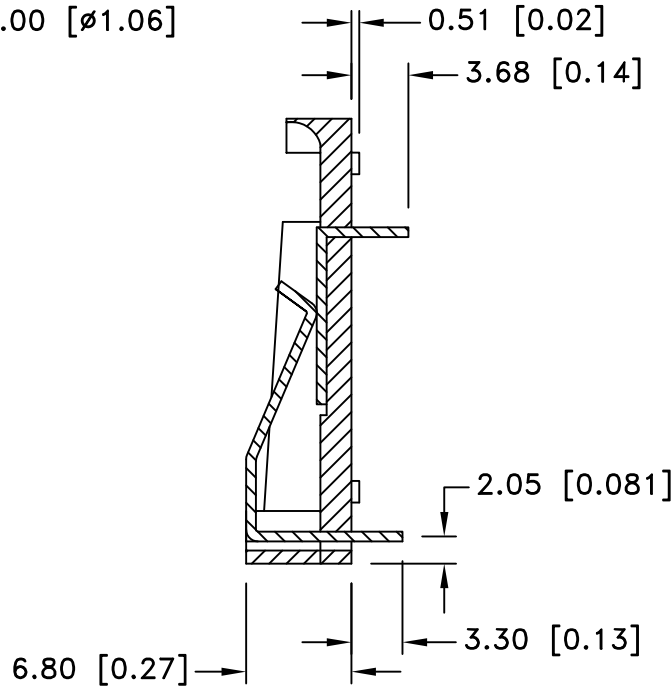
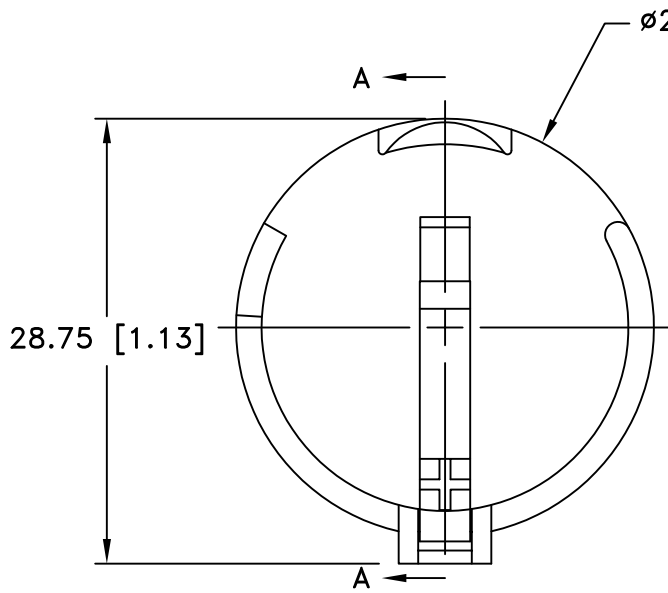
SQUARE CONTACT DETAIL



PCB LAYOUT

#55 [Ø0.052] DRILL  
2PLS


Date	SYM	REVISION RECORD	AUTH	DR.	CK.
06/18/05	A	#58 DRILL SIZE WAS Ø1.32 FOR PCB LAYOUT	T.B.	B.S.	
1/28/06	B	#55 DRILL SIZE WAS #58 UPDATED MAT. NOTES ADDED "ROHS COMPLIANT"	T.B.	B.S.	
7/08/06	C	Updated Contact Details	T B	B S	
1/11/08	D	Dim. 3.90 was 3.68 Dim. 0.70 WAS 0.64	T B	B S	



NOTES:

MATERIAL:

HOLDER: NYLON 66 33% G/F, UL94V-HB, UL FILE NO. E41938  
 POS. CONT.: PHOS-BRONZE, 0.0236" THICK, NICKEL PLATED  
 NEG. CONT.: 302/304 STN. STL., 0.0236" THICK, NICKEL PLATED  
 TEMPERATURE RANGE: -40°C TO +235°C  
 ROHS COMPLIANT

Tolerance (Except as noted)	 Memory Protection Devices, Inc 200 Broad Hollow Road, Farmingdale, New York 11735	Scale	Drawn By B.S.
			Approved By T.B.
decimal ±.5 (.020)	Title 23mm BATTERY HOLDER WITH EASY IN-OUT		
Fractional ± .8 (.030)		Date 1/11/08	Drawing Number BH908T-C-HITE
Angular ± 3°			