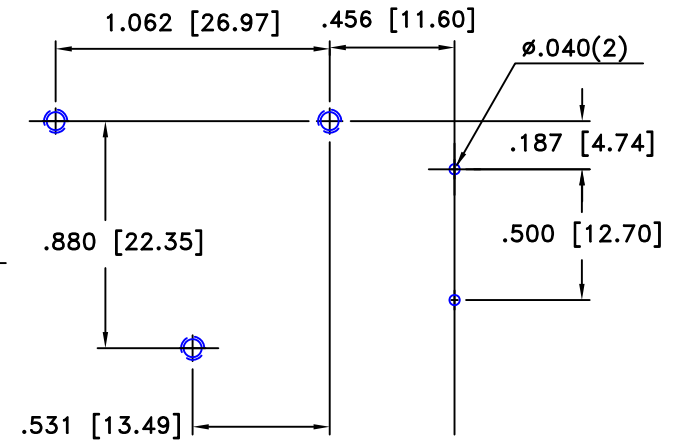
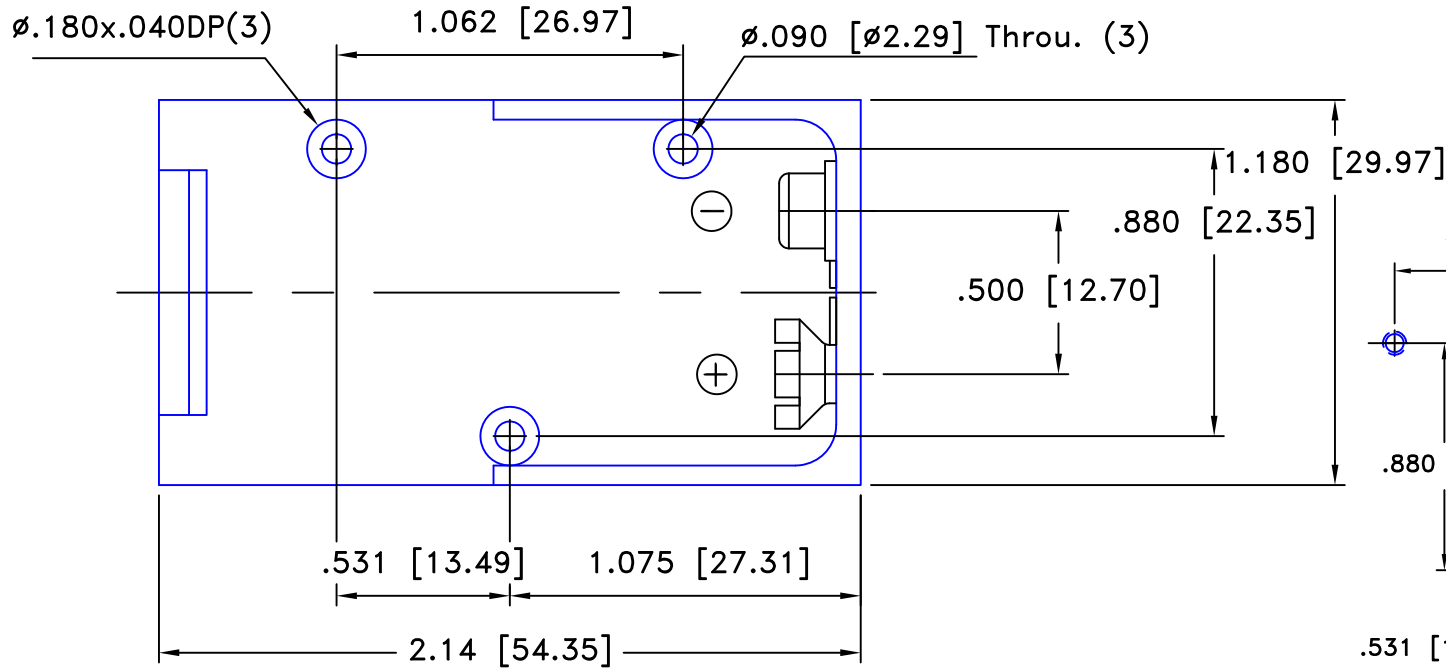
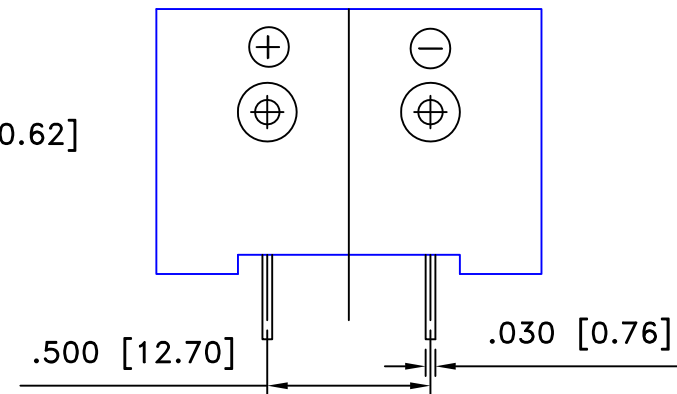
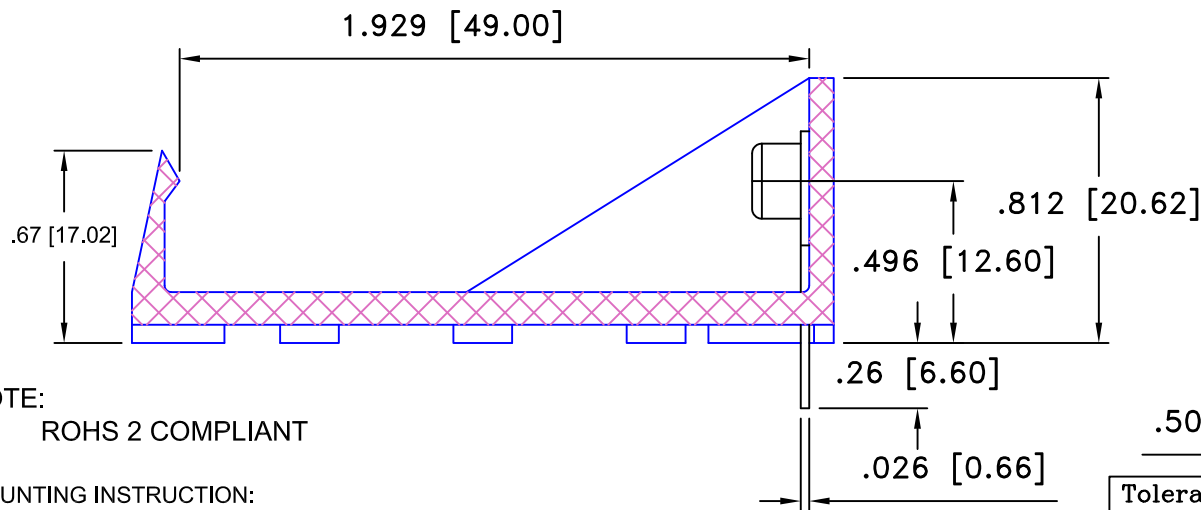


Date	SYM	REVISION RECORD	AUTH	DR.	CK.
10/07/11	B	ADDED MOUNTING NOTES	T.B.	B.S.	
12/06/13	C	Dim. 2.14 was 2.15. Dim. .67 was .589. Added Dim. .26	T.B.	B.S.	




PCB LAYOUT



NOTE:
ROHS 2 COMPLIANT

MOUNTING INSTRUCTION:
USE 2-56 MACHINE SCREWS OR EYELETS 0.089" OD
BY 0.15" FLANGE STIMPSON GS-3 SERIES OR EQUIVALENT.
ALSO ADHESIVES AND DOUBLE SIDED TAPES WORK WELL.

Tolerance (Except as noted)		 Memory Protection Devices, Inc 200 Broad Hollow Road, Farmingdale, New York 11735	
decimal	±.5 (.020)	Scale	2=1
Fractional	±.8 (.030)	Drawn By T.S. Approved By T.B.	
Angular	± 3°	Title BH9VPC ASSEMBLY	
		Date	Drawing Number
		12/06/13	BH9VPC

TERMINALS	PC TERMINALS	TIN PLATED STEEL
WASHER	INSULATOR	RUBBER
HOLDER	HOLDER UL94V-0, FILE No. E56070 (S)	HIGH IMPACT ABS BLACK, UL940-0
CONTACTS	BRASS SNAPS	NICKEL PLATED BRASS
PART	DESCRIPTION	MATERIAL