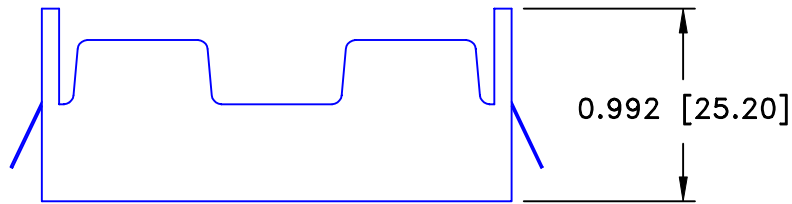
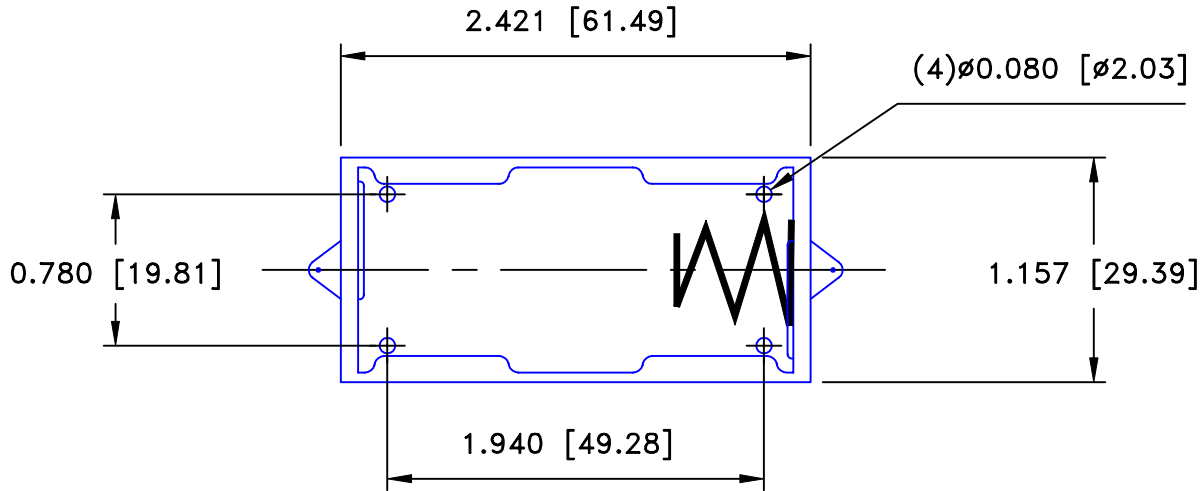
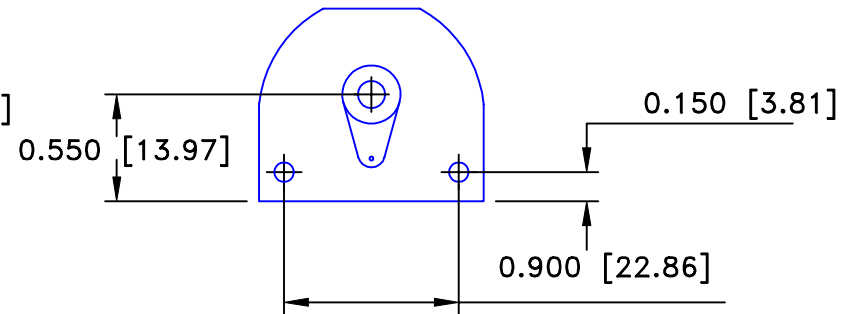


Date	SYM	REVISION RECORD	AUTH	DR.	CK.



Solder Lugs Shown




ORDERING CODE BHC

SPECIFICATIONS

- Plastic material- polypropylene
- Springs- nickel plated spring steel
- Wire- 26 AWG, UL1007, CSA
- Rivets- Brass, nickel plated
- 9Volt snaps- Brass, nickel plated

- L- Solder Lugs
- W- (6") Wire Leads
- SF- 9Volt type snaps
- B- Bump plates

Tolerance (Except as noted)	 Memory Protection Devices, Inc 200 Broad Hollow Road, Farmingdale, New York 11735		
decimal ±.5 (.020)	Scale 1=1	Drawn By T.S. Approved By T.B.	
Fractional ± .8 (.030)	Title ONE "C" CELL HOLDER		
Angular ± 3°	Date 8/16/00	Drawing Number BHCL	