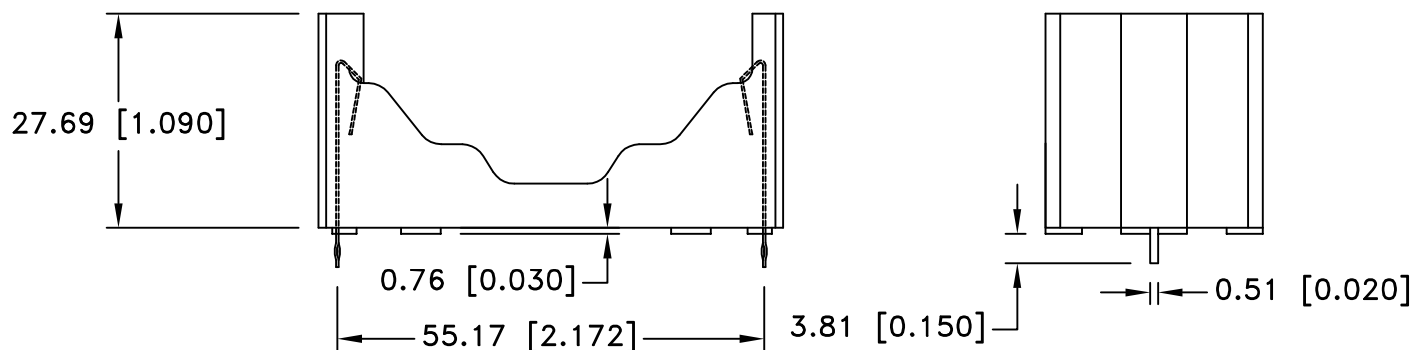
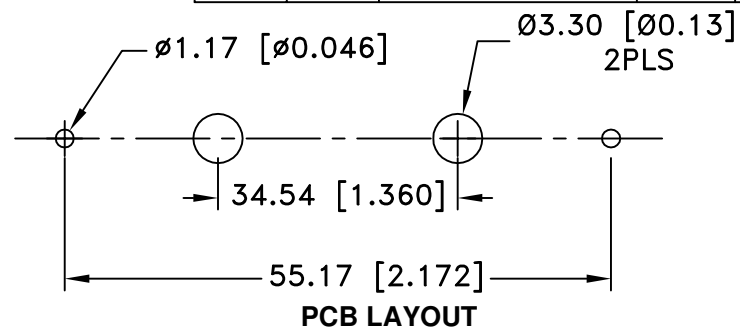
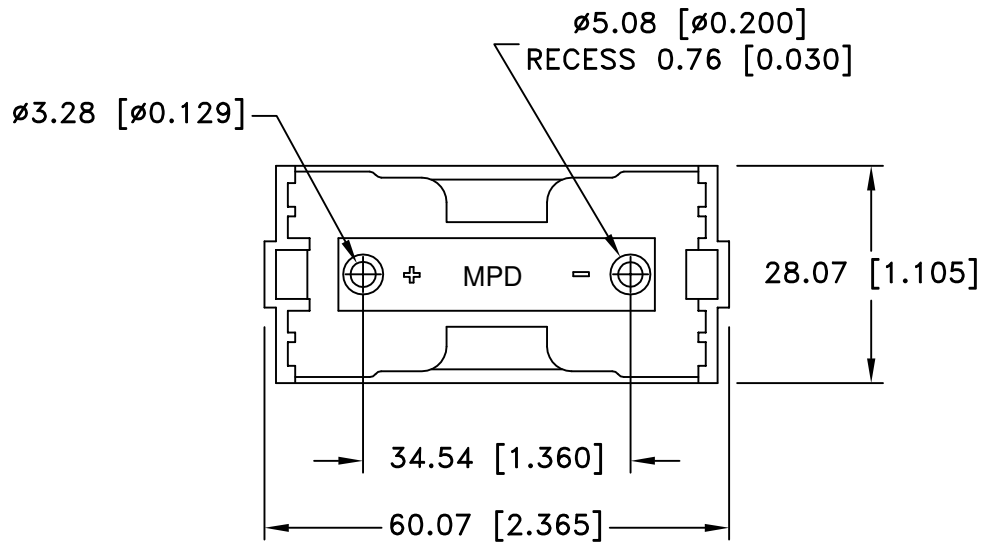



Date	SYM	REVISION RECORD	AUTH	DR.	CK.
10/29/05	A	UPDATED NOTES. CHANGED TITLE	T.B.	B.S.	
1/28/06	B	ADDED DETAIL FOR POSITIVE CONTACT RIBS	T.B.	B.S.	



**SPECIFICATIONS:**

Holder Material: Black PBT, 30% Glass, UL94V-0  
 Contacts: 302 Spring temper stainless steel, Gold plated  
 Vibration Test: 10-50-10 Hz swept in 60 seconds  
 X,Y,Z direction: 1 hour each direction, No dislodgement of the cell or damage, No discontinuity over 10 micro-seconds  
 Shock Test: Half sine wave acceleration 150g. 6 micro-seconds, 1 shock pulses each direction per axis, total of 6 pulses, No evidence of physical damage  
 Drop Test: Drop height 1meter, Randomly oriented, 1 drop per direction, total 1 drop, No evidence of physical damage  
 Built in Reverse polarity protection  
 ROHS COMPLIANT

Tolerance (Except as noted)	 <b>Memory Protection Devices, Inc</b> 200 Broad Hollow Road, Farmingdale, New York 11735		
decimal $\pm .5$ (.020)	Scale	Drawn By B.S.	
Fractional $\pm .8$ (.030)	Title MILITARY BATTERY HOLDER FOR C CELLS		
Angular $\pm 3^\circ$	Date 1/28/06	Drawing Number BHC-POL	
		Approved By T.B.	