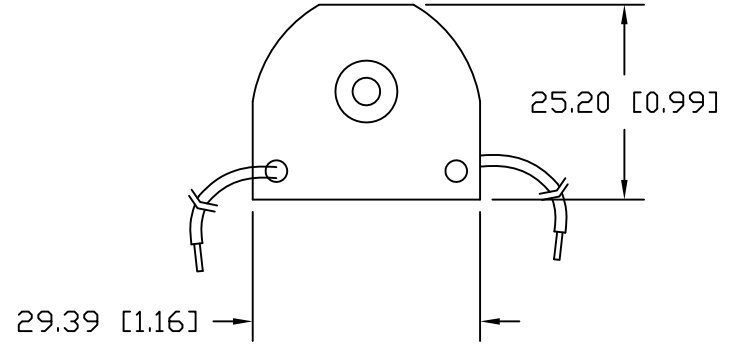
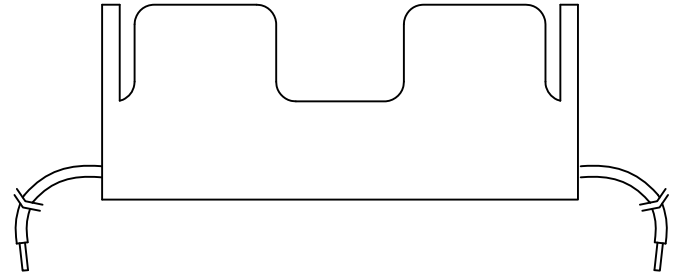
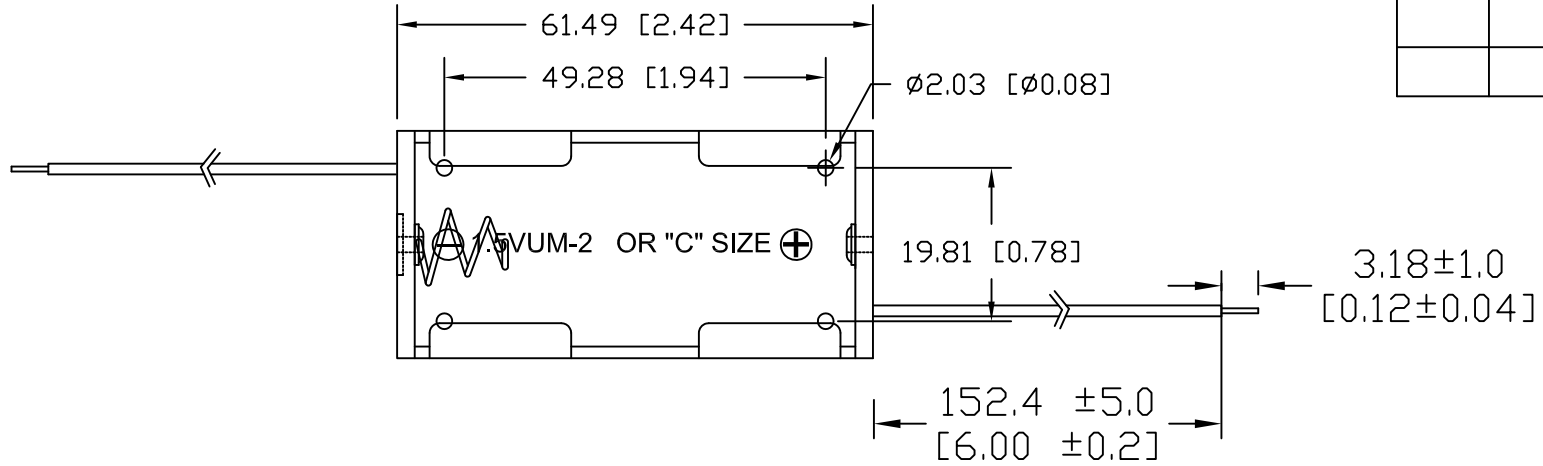



Date	SYM	REVISION RECORD	AUTH	DR.	CK.
05/31/13	B	UPDATED TO ROHS 2 COMPLIANT	T.B.	B.S.	



SPECIFICATION:

1. MATERIAL:

HOUSING : BLACK POLYPROPYLENE
 FLAMMABILITY RATING -UL94-HB, UL FILE NO. E216959
 TEMPERATURE RANGE: -10°C to +100°C
 RIVETS: BRASS, NICKLE PLTD.
 WIRE: 26 AWG, 152.4mm LONG
 SPRING: SPRING STEEL, NICKLE PLTD.
 CONTACT RESISTANCE: UNDER 50mΩ FOR +/- CONTACTS PER EIA-540J000
 ROHS 2 COMPLIANT

Tolerance (Inches)	 Memory Protection Devices, Inc 200 Broad Hollow Road, Farmingdale, New York 11735		
Decimal ±.5 (.020)	Scale	Drawn By B.S. Approved By T.B.	
Fractional ± .8 (.030)	Title "C" BATTERY HOLDER WITH WIRE LEADS		
Angular ± 3°	Date 5/31/13	Drawing Number BHCW	