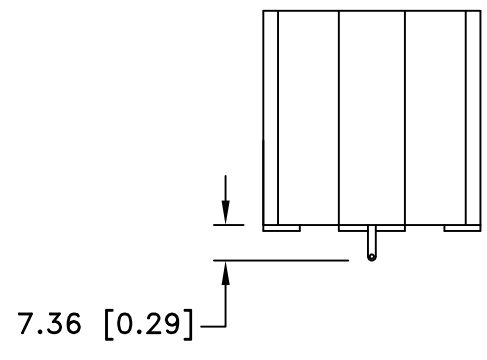
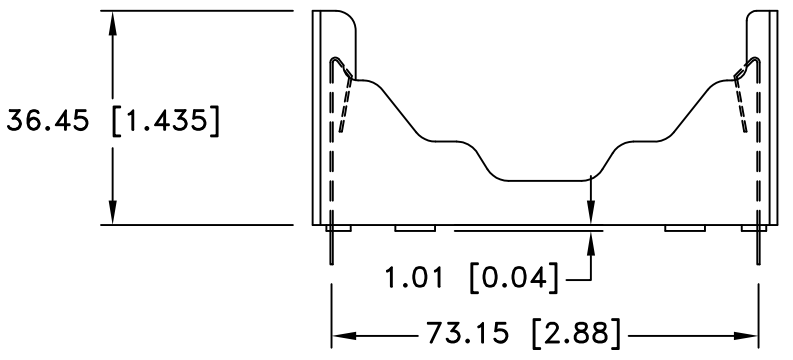
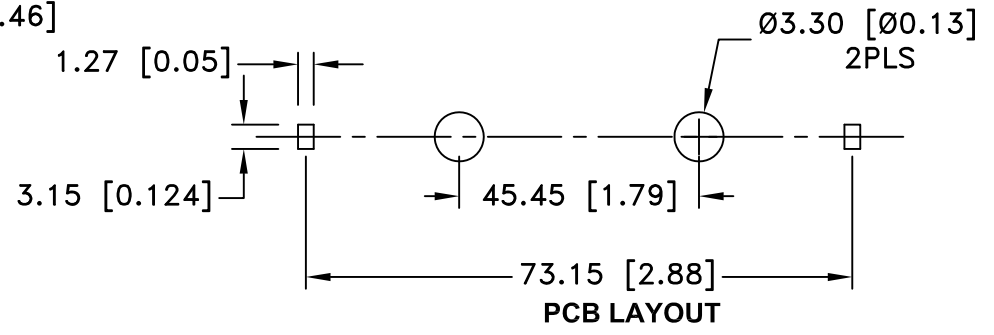
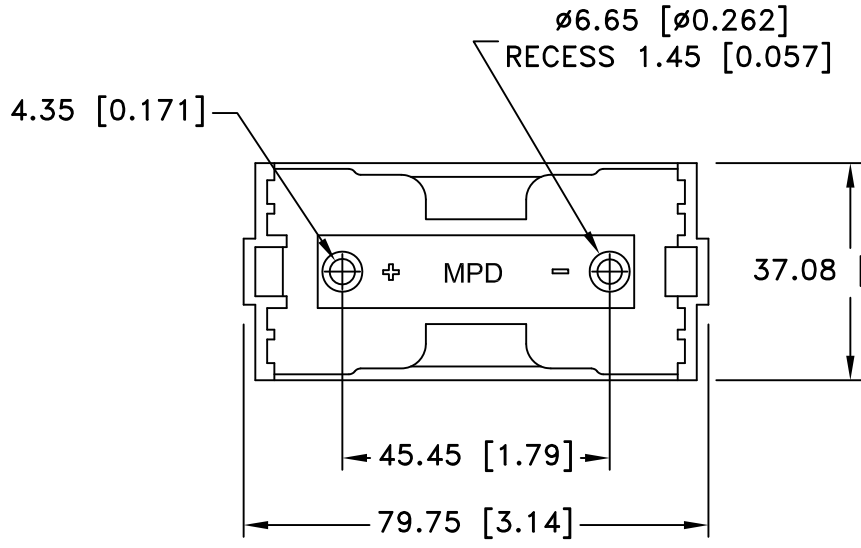



Date	SYM	REVISION RECORD	AUTH	DR.	CK.
8/20/10	A	Added Temperature Range	T.B.	B.S.	



**NOTES:**  
**MATERIAL:**  
 Holder: PBT, 30% Glass, Black, UL94V-0  
 Temperature Range: -55°C TO +180°C  
 Contacts: 302 Stn. Stl., Spring temper, Nickel Plated Overall  
 Vibration Test: 10-50-10 Hz swept in 60 seconds  
 X,Y,Z direction: 1 hour each direction, No dislodgement of the cell or damage, No discontinuity over 10 micro-seconds  
 Shock Test: Half sine wave acceleration 150g. 6 micro-seconds, 1 shock pulses each direction per axis, total of 6 pulses, No evidence of physical damage  
 ROHS COMPLIANT

Tolerance (Except as noted)	 <b>Memory Protection Devices, Inc</b> 200 Broad Hollow Road, Farmingdale, New York 11735	Scale	Drawn By B.S.
			Approved By T.B.
decimal ±.5 (.020)	Title D HOLDER	Date 8/20/10	
Fractional ± .8 (.030)		Drawing Number BHD-2	
Angular ± 3°			