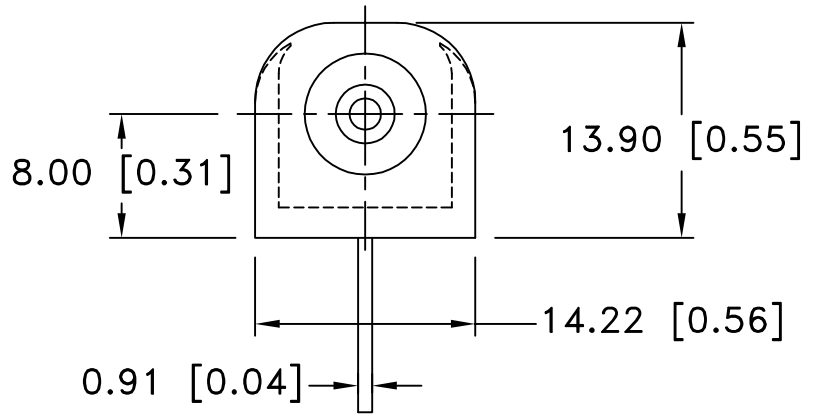
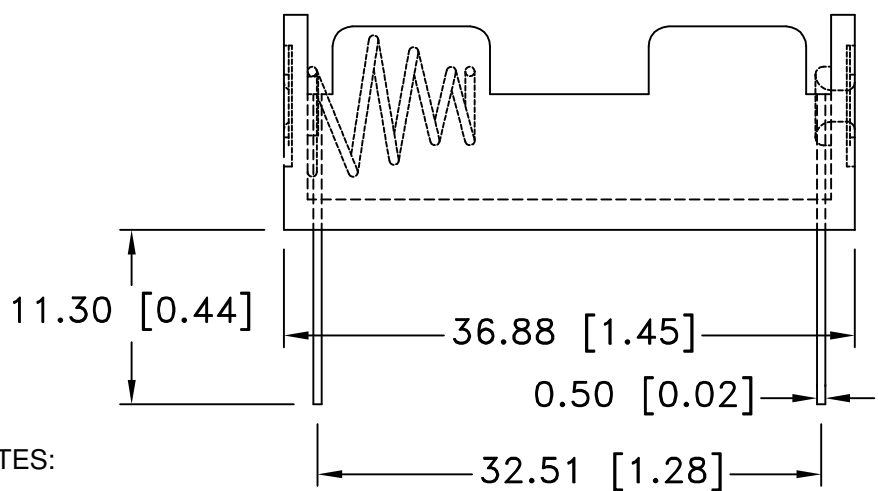
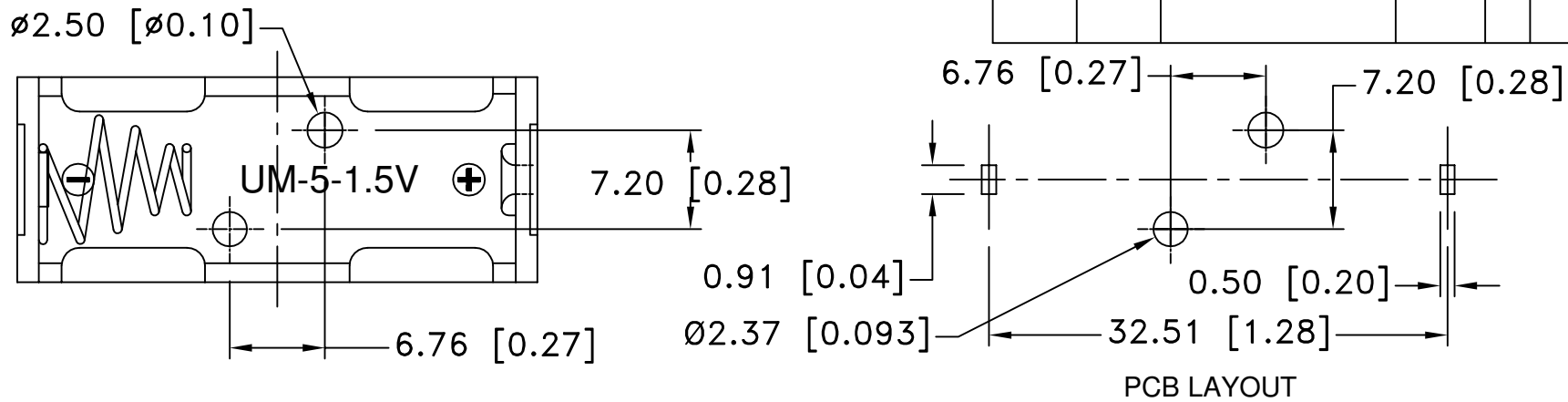



Date	SYM	REVISION RECORD	AUTH	DR.	CK.
6/17/06	A	ADDED "ROHS COMPLIANT"	T.B.	B.S.	



NOTES:

- MATERIAL:
    - HOUSING : BLACK POLYPROPYLENE
    - FLAMMABILITY RATING -UL94 HB, UL FILE NO. E216959
    - TEMPERATURE RANGE: -10°C to +100°C
    - RIVETS: BRASS, NICKLE PLTD.
    - SPRING: SPRING STEEL, NICKLE PLTD.
    - CONTACTS: SPRING STEEL, NICKLE PLTD.
    - WIRE: 26 AWG, UL1007, CSA, TR64
    - CONTACT RESISTANCE: UNDER 50mΩ FOR +/- CONTACTS PER EIA-540J000
- ROHS COMPLIANT

Tolerance (Except as noted)	 Memory Protection Devices, Inc 200 Broad Hollow Road, Farmingdale, New York 11735	Scale	Drawn By B.S.
			Approved By T.B.
decimal ±.5 (.020)	Title ONE "N" CELL HOLDER		
Fractional ± .8 (.030)		Date 6/17/06	Drawing Number BHNPC
Angular ± 3°			