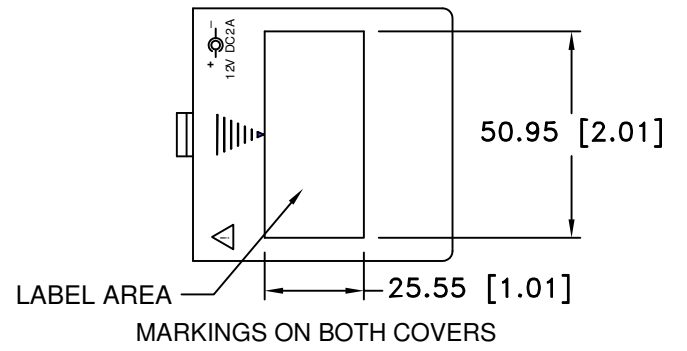
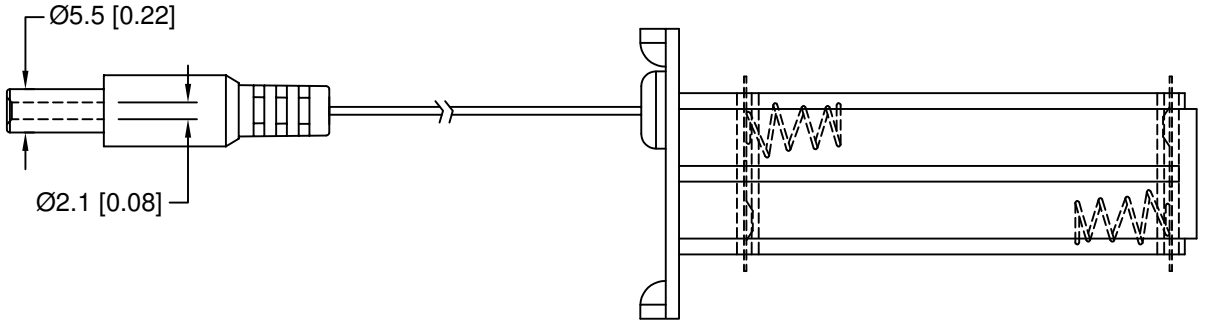
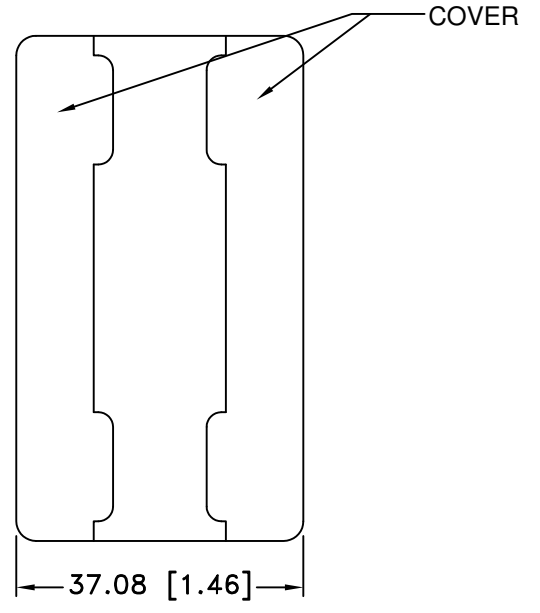
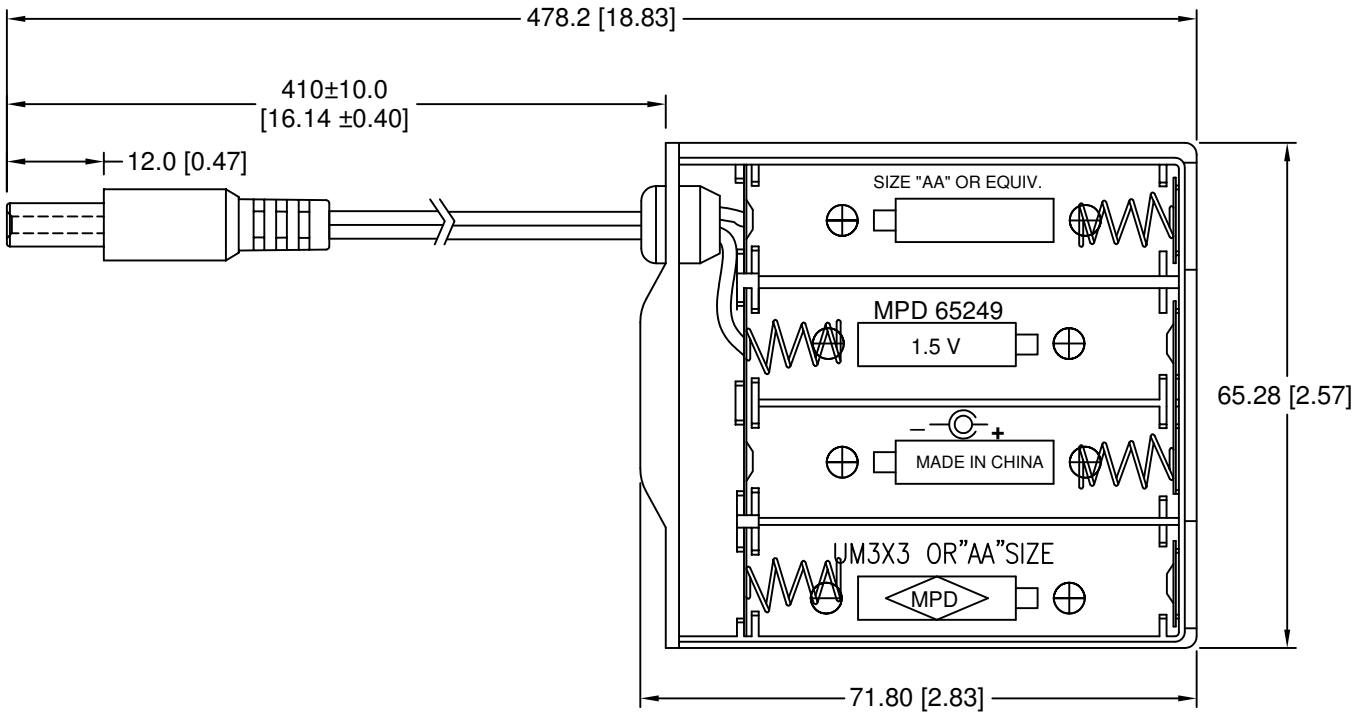



Date	SYM	REVISION RECORD	AUTH	DR.	CK.
09/27/03	A	ADDED DIMENSIONS FOR PLUG	T.B.	B.S.	
05/08/09	B	ADDED "ROHS COMPLIANT"	T.B.	B.S.	
07/09/09	C	DIM. 12.0 WAS 11.5. DIM. 410.0 WAS 406.4. 26 AWG WAS 24AWG	T.B.	B.S.	



NOTES:
 1. MATERIAL:
 HOUSING : BLACK POLYPROPYLENE, UL94V-0, 2% TO 5%TALC FILLED
 SPRING: SPRING STEEL, NICKLE PLATED
 CONTACTS: SPRING STEEL, NICKLE PLATED
 WIRE: 26AWG, BLACK FOR POSITIVE TERMINAL, BLACK W/WHITE TRACER FOR NEGATIVE TERMINAL
 ROHS COMPLIANT

Tolerance (Except as noted)	 Memory Protection Devices, Inc 200 Broad Hollow Road, Farmingdale, New York 11735		
decimal ±.5 (.020)	Scale	Drawn By B.S. Approved By T.B.	
Fractional ± .8 (.030)	Title EIGHT "AA" CELL HOLDER WITH COVERS		
Angular ± 3°	Date 07/09/09	Drawing Number BK-030	