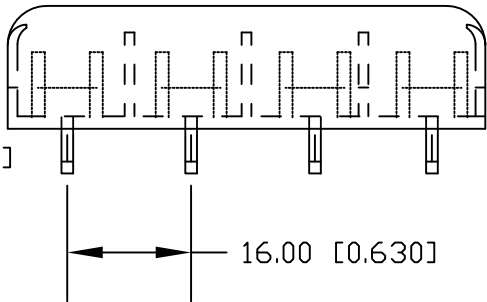
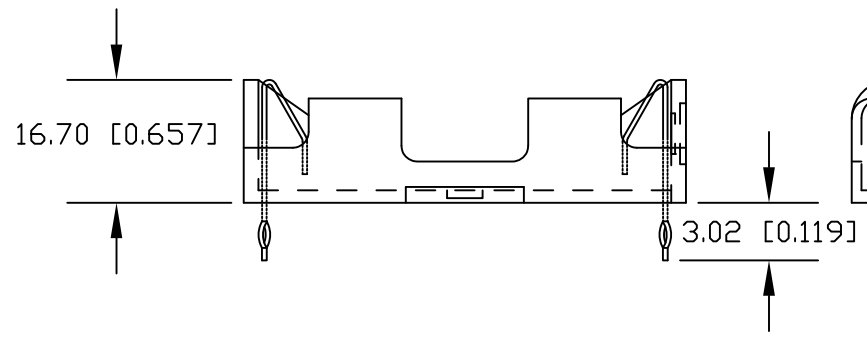
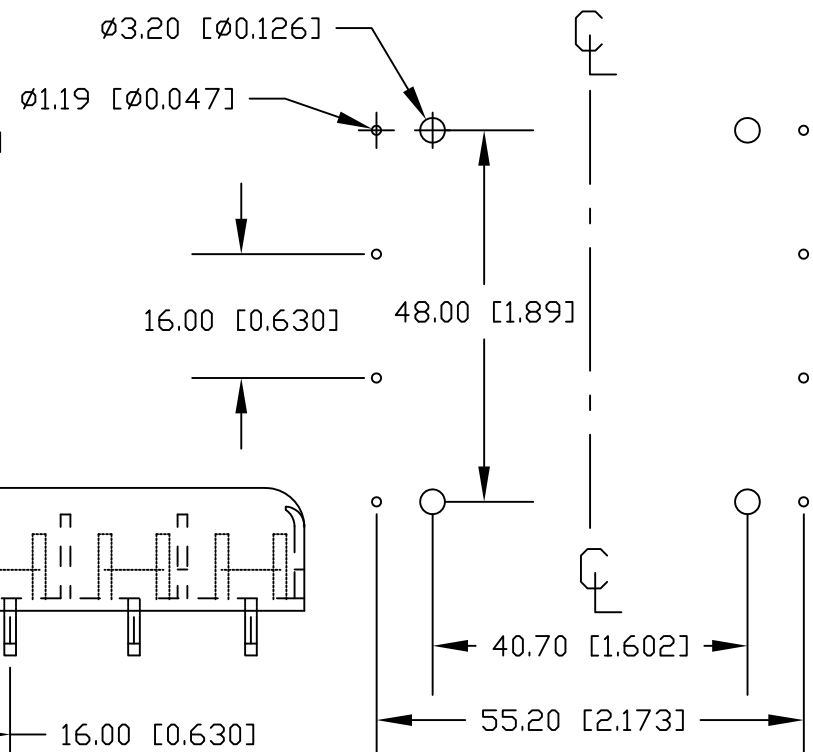
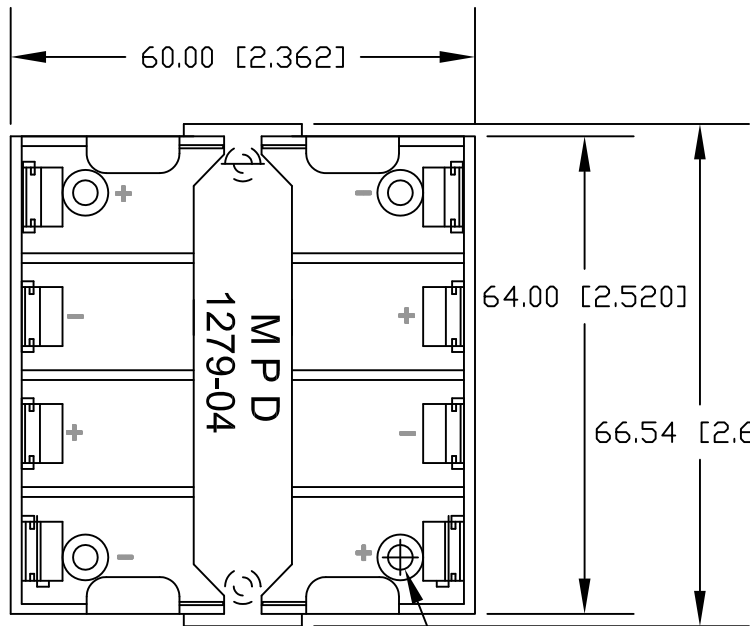



Date	SYM	REVISION RECORD	AUTH	DR.	CK.
5/26/07	A	ADDED TEST RESULTS	T.B.	B.S.	
5/09/08	B	ADDED DIM. 48.07	T.B.	B.S.	
7/24/09	C	DIM. 55.20 WAS DIM. 48.07	T.B.	B.S.	



PCB LAYOUT

NOTES:
 Material: Polypropylene, UL94V-0, UL file No. E255317
 Contacts: 302 Stainless Steel Spring Temper, Nickel Plated
 Cover: Polypropylene, UL94V-0
 Heat Deflection Temperature: 90°C
 Vibration Test: 10-50-10 Hz swept in 60 seconds
 X,Y,Z direction: 1 hour each direction
 Result: No dislodgement of the cell or damage
 No discontinuity over 10 micro-seconds
 Shock Test: Half sine wave acceleration 150G. 6 micro-seconds
 3 shock pulses each direction per axis, total of 18 pulses
 Result: No evidence of physical damage.
 ROHS COMPLIANT

Tolerance (Inches)	 Memory Protection Devices, Inc 200 Broad Hollow Road, Farmingdale, New York 11735	Scale	Drawn By B.S.
			Approved By T.B.
Decimal ±.5 (.020)	Title FOUR "AA" CELL HOLDER WITH COVER		
Fractional ±.8 (.030)		Date 7/24/09	Drawing Number BK-1279-PC8
Angular ± 3°			