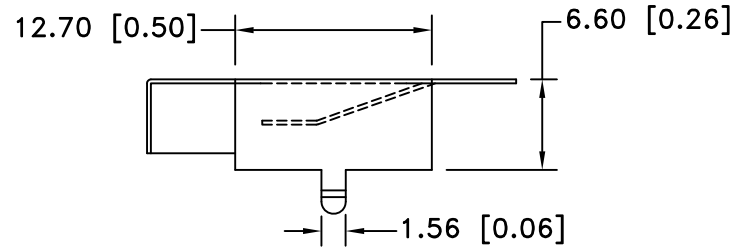
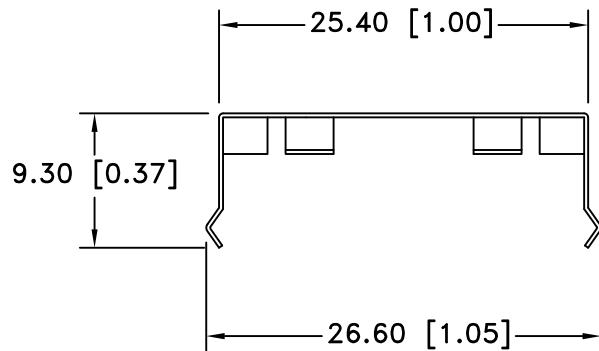
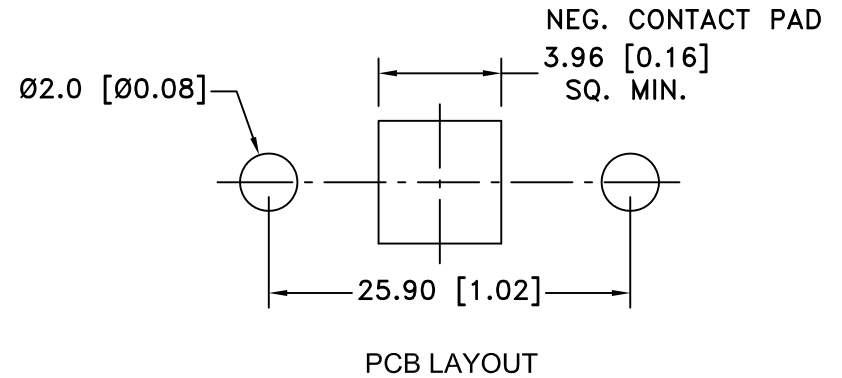
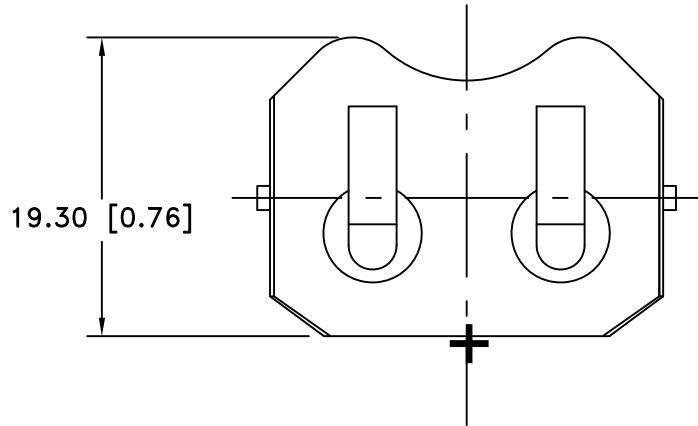



Date	SYM	REVISION RECORD	AUTH	DR.	CK.
02/07/04	A	REVISED DRAWING	T.B.	B.S.	
07/08/06	B	ADDED "ROHS COMPLIANT"	T.B.	B.S.	
03/05/10	C	RE-DESIGNED	T.B.	B.S.	
04/23/10	D	RE-DESIGNED DIM. 19.30 WAS 22.10	T.B.	B.S.	



NOTES:

- MATERIAL:  
.008" THICK PHOSPHOR BRONZE, NICKLE PLTD.
- ROHS COMPLIANT

Tolerance (Except as noted)	 <b>Memory Protection Devices, Inc</b> 200 Broad Hollow Road, Farmingdale, New York 11735		
decimal ±.5 (.020)		Scale	Drawn By B.S.
Fractional ± .8 (.030)	Title CR2450 BATTERY RETAINER		
Angular ± 3°	Date 4/23/10	Drawing Number BK-5033	
		Approved By T.B.	